

V-TUF[®]



GCX4000 INDUSTRIAL VACUUM CLEANER OPERATOR MANUAL



Please read this manual before using the GCX4000

All Errors & Omissions Excused – Specification May Change Without Notice – Please Refer to www.v-tuf.co.uk for the latest version

Follow these steps **BEFORE USE**

For dry, non- hazardous material, ensure the HEPA filter is correctly fitted.



For wet, non- hazardous material, foam filter is fitted.



Ensure the head is correctly fitted and the clips secure.
For dry, non- hazardous material, ensure the HEPA filter is fitted.



Ensure that the drain hose bung is correctly fitted and sealed. (9000 only)



Remove Bung from Tank



Fit the hose to the tank.



Clicks in and swivels



Floor Cleaning - Fit wand elbow



Floor Cleaning - Fit wand extensions



Floor Cleaning - Fit floor head



Crevice tool - Fit to the hose



Round Brush - Fit to hose



GCX RANGE

For use with the gutter / high level cleaning kit

Fit 51mm Elbow



Fit extension poles



Ensure Suction Gate is closed



Add extension poles to your desired length



GCX RANGE

Fit 135° Angled Cuff head



Tighten Thumb Screw 2(Nm).



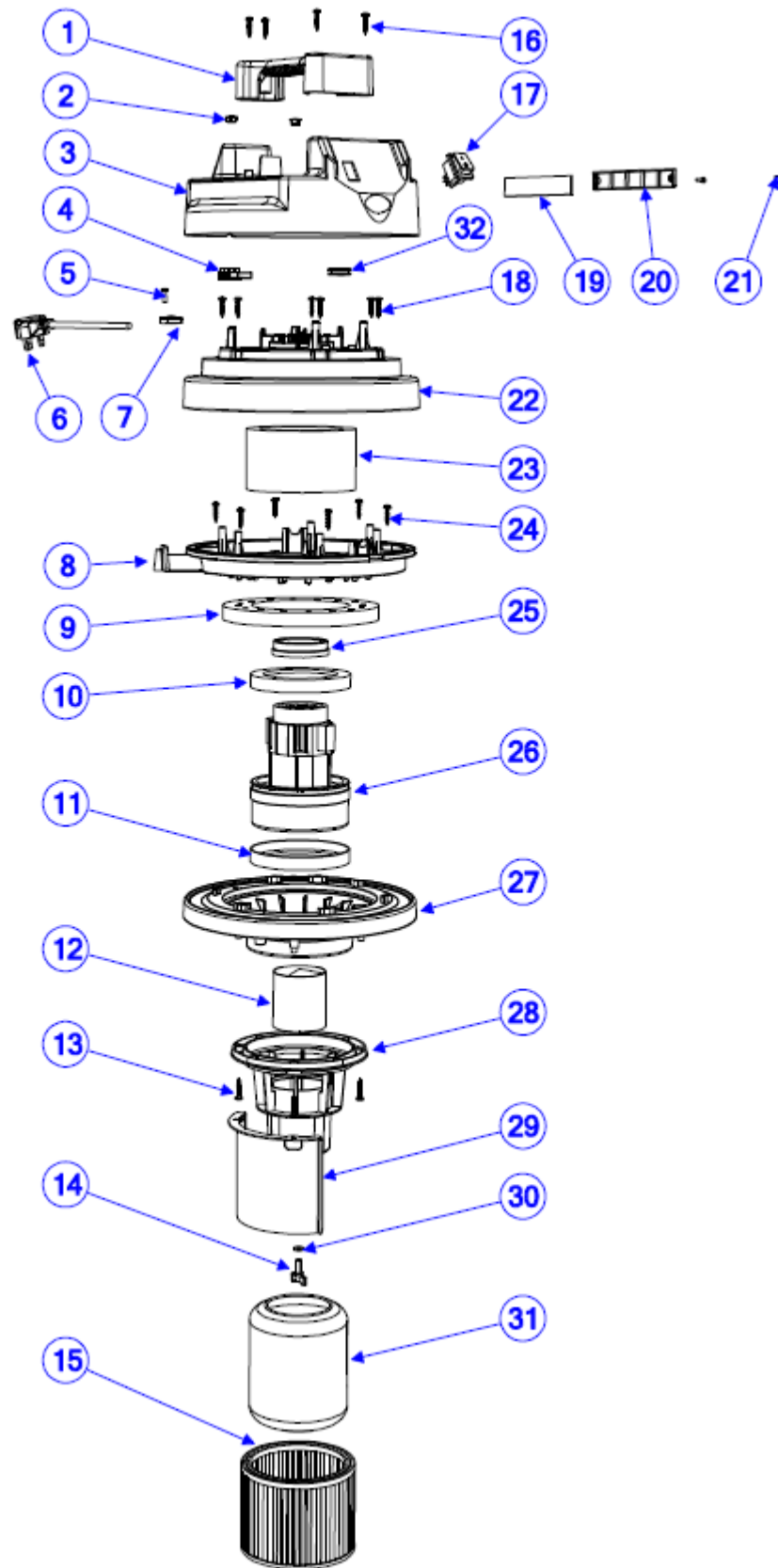
Fit gutter cleaning tool/head



Tighten Thumb Screw 2(Nm).



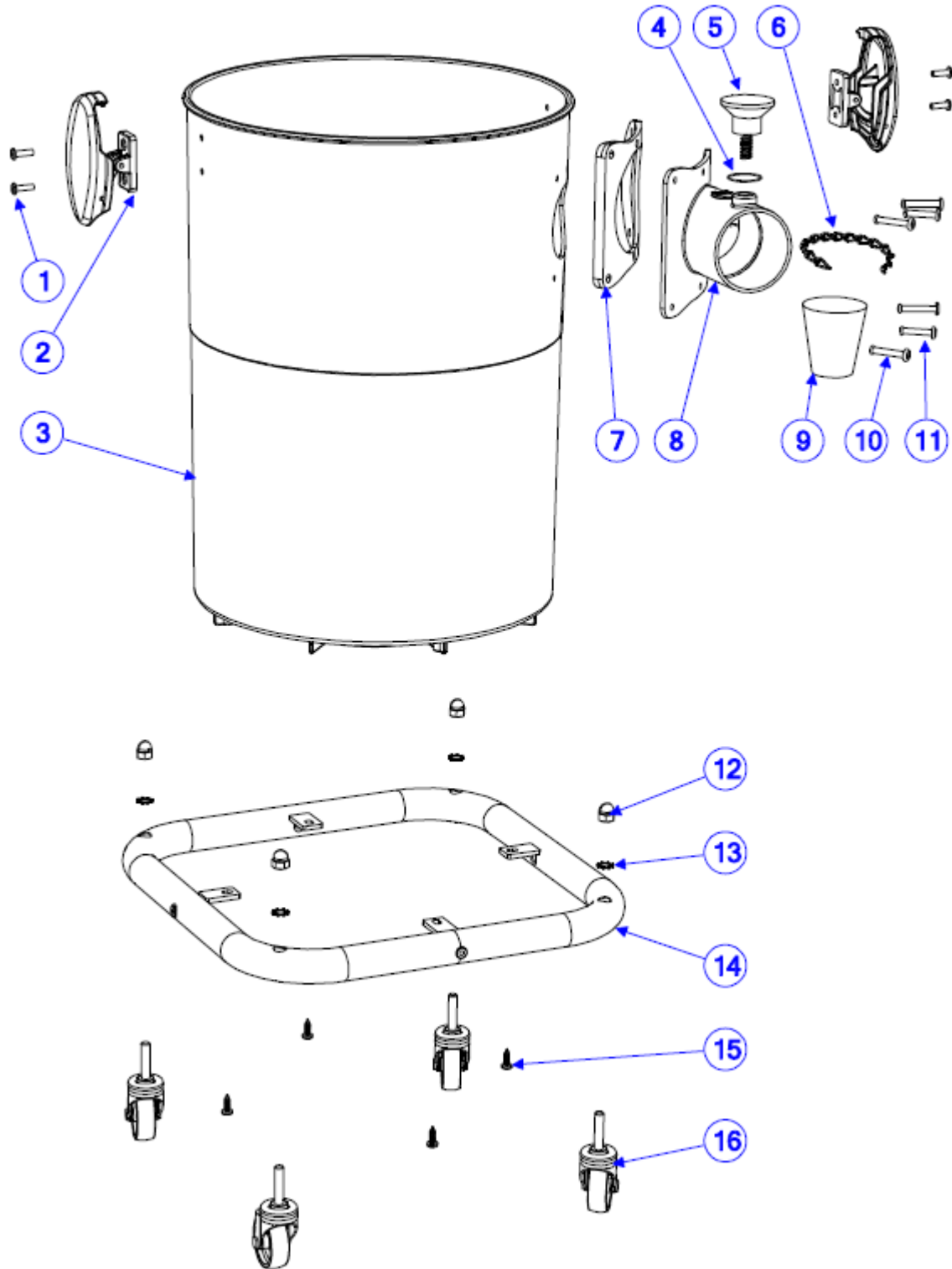
GCX RANGE



GCX RANGE

Pos.	Q.ty	V-TUF CODE	Description
1	1	VTVS7492	Small handle
2	2	VTVS7515	Cork TPB 14,0x18,0x7,0
3	1	VTVS7478	Covers
4	1	VTVS7421	electrical terminal
5	1	VTVS7511	Self tapping screw 5x16
6	1	a. I10.1505C = 110v Cable b. I10.1605C = 240v Cable	Power cable
7	1	VTVS7483	Cable jaw
8	1	VTVS7486	Black Motor Holder
9	1	VTVS7449	MTP30 Washer D.230x145x20 + 16 F
10	1	VTVS7455	L Gasket h=5
11	1	VTVS7455	L Gasket h=5
12	1	VTVS7494F	Float Ø80
13	4	VTVS7513	Self tapping screw 5x30
14	1	VTVS7506	M8x20 filter lock insert
15	1	VTVS7021M	Cartridge M-Class Filter
16	4	VTVS7512	Self tapping screw 5x25
17	1	VTVS7422Y	SWITCH - VRS SEALED & YELLOW V-TUF 'VRS' TYPE
18	6	VTVS7512	Self tapping screw 5x25
19	1	VTVS7448	PPI45 Filter 130x25x7mm
20	1	VTVS7490	PLASTIC GRID L144
21	2	VTVS7510	Screw 3,5x12 TC ZN
22	1	VTVS7484	Engine Cover Ø345
23	1	VTVS7447	Filter MTP30 AU H=88 D.160- 120 mm
24	6	VTVS7512	Self tapping screw 5x25
25	1	VTVS7481	Motor plastic spacer H=20
26	1	VTVS7825	1750W 240V VAC MOTOR
27	1	VTVS7471	Black Single Stage Motor Base
28	1	VTVS7494	Float Support
29	1	VTVS7488	Polished stainless steel bulkhead
30	1	VTVS7453	Nylon gasket 15x7,8x2 mm
31	1	VTVS7020L	Anti foam cover
32	1	VTVS7489	PVC Thread pass

GCX RANGE



GCX RANGE

Pos.	Q.ty	V-TUF CODE	Description
1	4	VTVS751	Blind Rivet 4,8X17
2	2	VTVS749	TANK CLIP/ TANK BUCKLE
3	1	VTVS748	TANK FOR GCX4000
4	1	VTVS749	Metal ring Ø28mm - FOR SIDE INLET VACS
5	1	VTVS752	Plunger pump - FOR SIDE INLET VACS
6	1	VTVS752	Metal chain
7	1	VTVS752	Drum Gasket
8	1	VTVS715	Inlet D.67mm
9	1	VTVS752	Cork Ø67mm
10	4	VTVS752	Blind Rivet 4,8x30
11	4	VTVS752	Blind Rivet 4,8x25
12	4	VTVS752	M8 Hex Nut
13	4	VTVS752	Toothed washer M8
14	1	VTVS753	metal trolley
15	4	VTVS751	Self tapping screw 5x16
16	4	VTVS753	Wheel Ø50

INTRODUCTION

Thank you for purchasing V-TUF product.

V-TUF is focused on research and development to make sure you are fully satisfied with our products.

Please read this manual carefully and follow the instructions to ensure you get the best performance from this machine.

Congratulations on your choice.

IMPORTANT POINTS TO NOTE AT ALL TIMES!

1. Always ensure you are using the correct combination of filters for the task you are doing.
2. If you experience vacuum loss, please clean the filters, check & clear the blockage in the suction line, and blast the vacuum head vents with air, so you have maximum suction power.
3. Do not leave the vacuum motors running if there is loss of suction, as they can overheat. Regularly check the filters and air ways to ensure that they are clean and not damaged.
4. Never use standard extension cords on the 240-volt machines, as these are not sufficient for three motor operation and can burn the motors out. Only use the 'Motor saver' extension cords.
5. Before use operators must be provided with information, instruction and training for the use of the machine and the substances for which it is to be used, including the method of operation, cleaning and maintenance and disposal of the material being collected.
6. This manual has been included as an integral part of the appliance and should be carefully read through BEFORE using the machine.
7. Take the appliance out of its packaging and make sure it is in perfect condition, including accessories and any optional extras you have purchased from the V-TUF range.
8. Make sure that the electrical data of the appliance, shown on the label, corresponds to those of the mains supply.
9. The appliance must only be used with V-TUF accessories and spare parts.
10. The manufacturer disclaims all liability for injury to persons and animals and damage to things due to the irresponsible use of the appliance and to the use of non-original accessories and spare parts.
11. The repair and/or replacement of the various component parts, especially electrical parts, must be done by competent, trained personnel.

GENERAL INFORMATION

1. This manual has been included as an integral part of the appliance and should be carefully read through before using the machine.
2. Take the appliance out of its packaging and make sure it is in perfect condition, including accessories and any optional extras you have purchased from the V-TUF range.
3. Make sure that the electrical data of the appliance, shown on the label, corresponds to those of the mains supply.
4. The appliance must only be used with V-TUF accessories and spare parts.
5. The manufacturer disclaims all liability for injury to persons and animals and damage to things due to the irresponsible use of the appliance and to the use of non-original accessories and spare parts.
6. The repair and/or replacement of the various component parts, especially electrical parts, must be done by skilled personnel.
7. Before use operators must be provided with information, instruction and training for the use of the machine and the substances for which it is to be used, including the method of operation, cleaning and maintenance and disposal of the material being collected.

INSTALLATION

1. Ensure that the machine has the correct filtration system fitted properly for the substance you are going to clean:
 - For dry non-hazardous material, ensure the HEPA filter is fitted, secure and sealed.
 - For wet non hazardous material, ensure that the blue sponge filter is fitted
 - Ensure that the filters are not damaged.
 2. Ensure that the head is fitted correctly and the clips are in place.
 3. Fit the hose to the vacuum connector; fit the required accessory to the end of the hose
 4. Connect the power cable of the appliance to the power socket ensure that the switches are "0" (OFF POSITION).
 5. The noise level is below 85 dB(A)
-

OPERATION INSTRUCTIONS

1. Ensure that there is sufficient ventilation for the machine and the operator
2. Make sure the machine on a sound and stable surface.
3. Ensure the machine is switched to the off position, connect to the correct and sufficient power source, switch machine on, use according to the guidelines and turn machine off, empty and clean after operation.
4. Never clean areas or substances that are conducive to static or electrical shock risk.

IMPORTANT

1. The wet and dry machines feature a float valve that interrupts the vacuum when the tank is full of liquid. When this occurs, turn the machine off immediately and empty the entire contents of the tank.
2. Do not use your machine if it is not functioning correctly. Regularly inspect electrical leads and connections, filters and listen for unusual noises. If in doubt, contact your nearest service centre for advice.

MAINTENANCE

1. The filter element can be vacuum cleaned OR washed with water. Ensure that it is completely dry before the operation.
2. Replace the filters if they are damaged.
3. Check and free the blocked parts (vacuum pipes, connector, brushes, etc.) from any deposited materials.
4. If necessary, clean the tank and in any case, never leave dust or liquid residues in the tank for long periods of time.
5. Ensure all residue material buildup is cleared from the air passages within the vacuum cleaner.

IMPORTANT INFORMATION

Never use the machine if you are unsure or become uncertain due to any faults of any kind, including those not mentioned in this manual.

Ensure that the machine has an up to date electrical and functional safety test and that nothing has been moved or replaced since the test was carried out.

Technical Information

Model	GCX4000
Capacity	37 Litres
Working Voltage	110 & 240 Volts
Motor Power	1750 Watts
Function	Wet & Dry Vacuuming
Air Flow Rate	60 CFM
Tank Diameter	320mm
Height	250mm
Accessories	Ø50mm Accessories Kit
Power Cable	5m




Safety Instructions

These instructions are for the user's safety, and all users of the V-TUF cleaning equipment should ensure to have read this literature before using the machine.

- If any part of the appliance becomes damaged or fractured, it must be replaced by a V-TUF approved engineer.
- This machine shall be used only by trained, competent and experienced operators. Operators should observe any safety regulations appropriate to the materials being handled.
- Do not run over the cable.
- Do not use in the presence of flammable gasses.
- Do not use with a damaged cable.
- This machine should be kept out of the reach of children and pets at all times.
- Do not clean up any hot material, e.g. ash.
- Always turn off the machine, and then unplug it, before you service the machine. Do NOT use this machine without the filters, as this is a health hazard and will damage and contaminate the internals of the vacuum cleaner.
- All repairs on V-TUF products should be done by an authorised service representative.
- If the machine shuts down, be sure to turn off the machine and unplug it before troubleshooting.
- For safety, the machine contains an electronic overload protection.
- Always turn off and unplug the machine when it is not in use. If any part of the appliance becomes damaged or fractured, it must be replaced with genuine V-TUF replacement parts only.

SAFETY PRECAUTIONS

Caution: what to do

1. All power conduction parts must be protected against water. SHORT-CIRCUIT RISK.  
2. All services or maintenance performed on the appliance must always be done with the plug disconnected from the power supply.
3. Operation with a residual current circuit breaker provides extra protection for the operator ($I_n=30$ mA).
4. Only ever use the appliance for the purposes for which it has been designed and manufactured. ACCIDENT RISK. 
5. If vacuum exhaust starts emitting material or particles, turn off immediately and waste level and ensure all correct filtration is present.
6. Only use the accessories provided with the machine
7. In the case of extractor models, only use detergents compatible with vacuum and pipe covering materials.
8. Ensure that the machine has an up to date electrical and functional safety test and that nothing has been moved or replaced since the test was carried out.



Caution: what not to do

1. Do not leave the machine running and unguarded nor within reach of children, animals or persons that are not responsible for their own actions.

ACCIDENT RISK. 

2. Do not vacuum inflammable combustion substance (e.g.: hot ashes), explosive and toxic substances, electrostatic or substances that are dangerous for health. EXPLOSION

OR POISONING HAZARD   

3. Do not rest the vacuum inlet on or move this close to delicate parts of the body (eyes,   ears, mouth, etc.). ACCIDENT RISK.

4. Do not touch the plug and/or socket with wet hands. ELECTRIC SHOCK RISK.   

5. Do not soak the appliance or spray it with liquid substances. SHORT-CIRCUIT.

6. Do not pull or lift the appliance using the power cable. SHORT-CIRCUIT RISK.  

Transport and handling

ATTENTION

Ensure that the vacuum cleaner is empty and clean.

Ensure that the head and accessories are properly secured.

Ensure that the vacuum cleaners is transported in the upright position.

Ensure that the vacuum cleaner and accessories are transported in the appropriate manner relating to the type of material being handled.

BEFORE FIRST USE

Vacuum assembly and testing

Before using the device, check that:

No foreign elements are present within the container.

Ensure that the head is fastened down with the head clips. This guarantees an air-tight seal. The hose is correctly connected to the tank.

The machine is connected to the correct electrical supply with the switch in the 0 (OFF) position.

Initial working phase check

Before beginning to vacuum, check that the filters fit properly within the device and that they are positioned correctly.

Make sure that all drain caps are in place and sealed.

The vacuum has a float valve to seal the air flow to the vacuum motors when the liquid being vacuumed reaches the maximum level in the tank.

The motors will still run but the sound will become higher and there will be no suction.

To drain the tank:

1. Switch off all motors and disconnect from the power source.
2. Empty the tank

USE OF THE DEVICE

ATTENTION The vacuum cleaner must not be used for hazardous dusts including flammable and/or explosive material.



ATTENTION

END OF WORK ACTIVITIES

Must be carried out in a suitable, controlled area with the relevant PPE and methodology being used.

Disconnect the device's power supply by removing its electrical plug from the outlet.

Empty the waste container and dispose of the material according to the relevant regulations appropriate to the materials being handled.

Store the vacuum in a safe place where it cannot be accessed by unauthorised personnel.

TROUBLESHOOTING

PROBLEM	PROBABLE CAUSE	PROBABLE SOLUTION
The machine does not start	No current.	Check main fuse, power cord, plug and outlet.
The machine suddenly stops	Because of overheating, the thermal protection turns the Machine off.	After the machine has cooled down, you can turn the power on again and begin to use the appliance again.
Reduced suction power.	Filter, nozzle, hose or tube clogged.	Check and clean
Suction power drops	Tank full.	Stop the machine and empty the tank.
Suction power suddenly drops and pitch of the motors change.	The float valve is closed.	Remove the vacuum head and empty the liquid out of the container, if the container is empty, check that the floor tool wands and hose are not blocked. Ensure that the float is not jammed in the closed position.

V-TUF[®]

www.V-TUF.COM