

V-TUF[®]



XR11000

**HIGH PERFORMANCE WET & DRY
INDUSTRIAL VACUUM CLEANER**

OPERATOR MANUAL



Please read this manual before using the XR11000

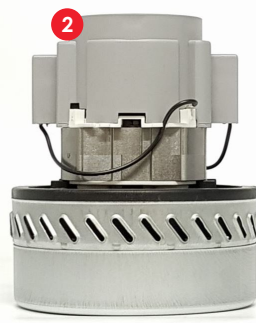
Accessories Supplied As Standard



POS	Parts No	DESCRIPTION
1	VTVS8000	HOSE - 5m (38mm) FOR XR 11000 HIGH PERFORMANCE WET & DRY INDUSTRIAL VACUUM CLEANER- VTVS8000(5M)
2	WND/2	TUBE SET - 38MM STAINLESS STEEL 3 PIECE WAND SET V-TUF PROFESSIONAL
3	BIO384WD	FLOOR HEAD - V-TUF 38MM VACUUM CLEANER 420MM Wet & Dry C/W WHEELS
4	VTVS038	ROUND BRUSH - V-TUF 40MM FITS XR11000
5	VTVS032	CREVICE TOOL - V-TUF 40mm - FITS XR11000
6	VTVS7020L	FILTER Sponge - Anti-Foaming Device



POS	Parts No	DESCRIPTION
1	VTVS021XLR	Filter Basket for Aquadry 110L - Fits Mammoth XLR V-TUF
2	I10.1620	EXTENSION LEAD ' Motor Saver' - 20M 240VOLT 2.5mm (13AMP) (Optional extras)-Sold Separately
3	BUL384WD	V-TUF 38MM VACUUM CLEANER BULLDOZER 450MM WIDE Wet & Dry FLOOR TOOL C/W WHEELS (optional extra)-Sold Separately

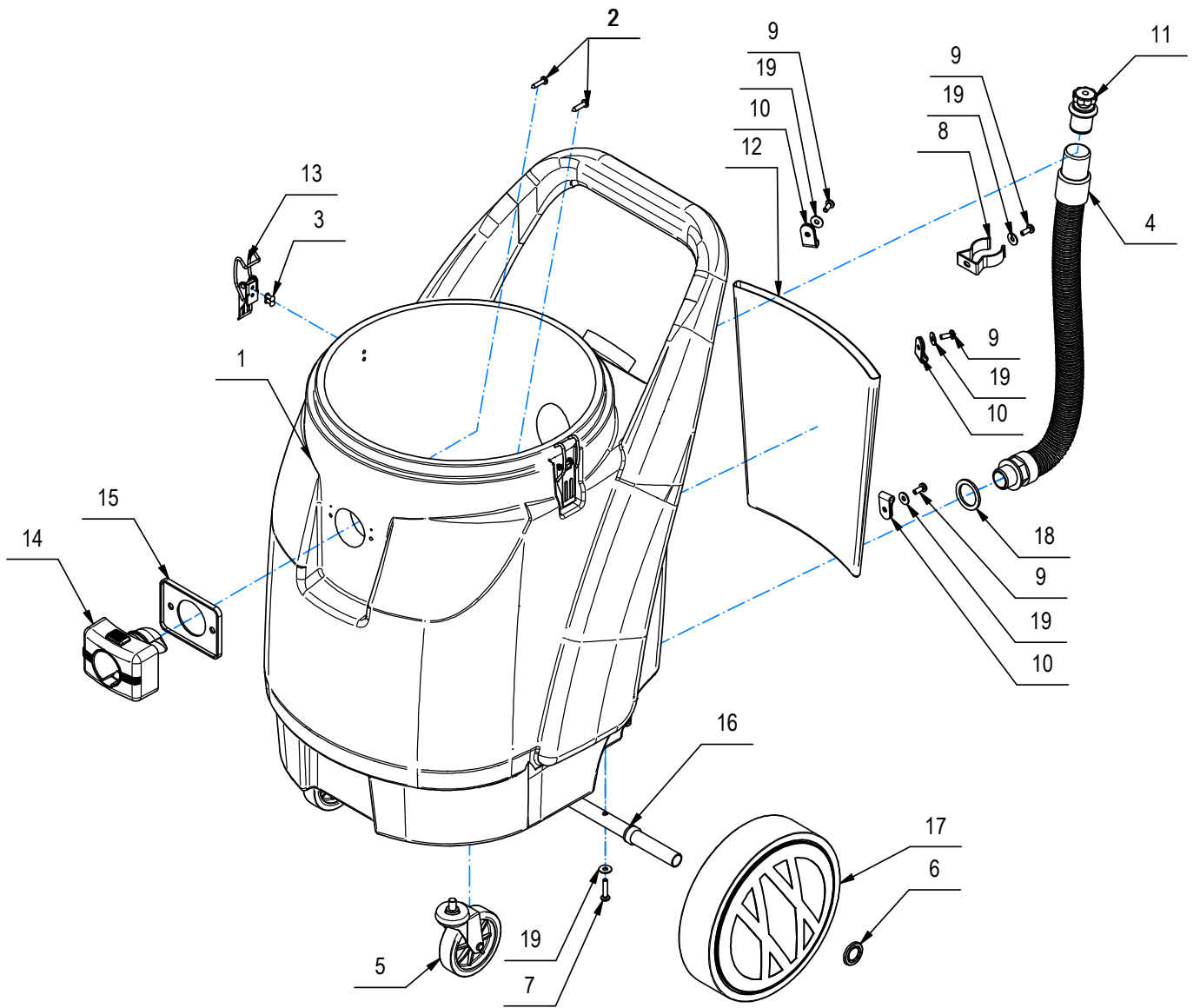


POS	Parts No	DESCRIPTION
1	VTVS066XLR	MOTOR - VAC 110 Volt Bypass Motor - MAMMOTH - VTVS066XLR
2	VTVS042XLR	MOTOR - VAC 240 Volt 1200 Bypass Motor - FITS MAMMOTH240-XLR & XR Range
3	VTVS7422Y	SWITCH - VRS SEALED & YELLOW V-TUF 'VRS' TYPE 10AMP - fits RAPIDS, MIDI, Mighty, MAXI, VACW&D, RAPID - VTVS7422Y
4	I10.1505C	110V - EXTENSION LEAD
5	I10.1605C	240V- EXTENSION LEAD



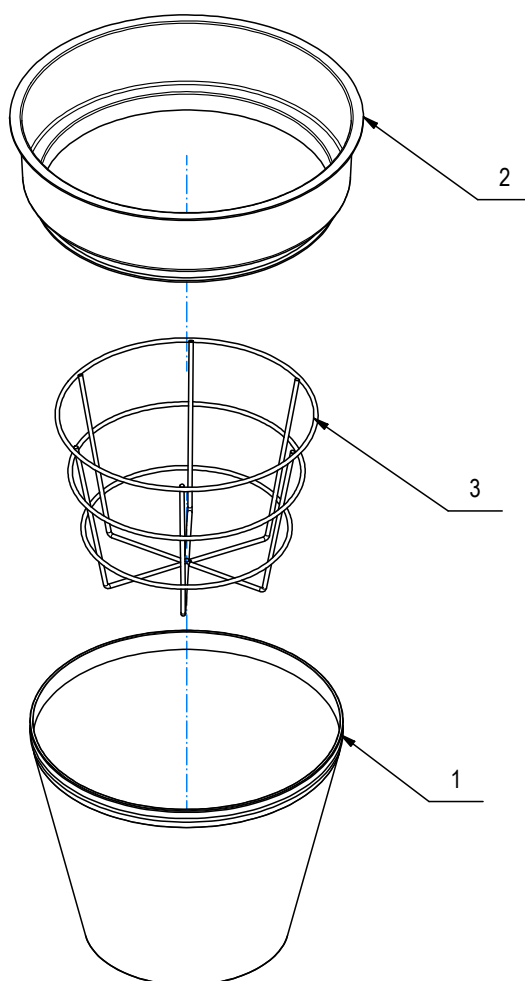
POS	Parts No	DESCRIPTION
1	VTVS1067KIT	DRAIN CAP FOR BACK OF MACHINE
2	VTVS1006KIT	MOTOR SPACES
3	VTVS1008KIT	SCREW KIT

COMPLETE TANK KIT



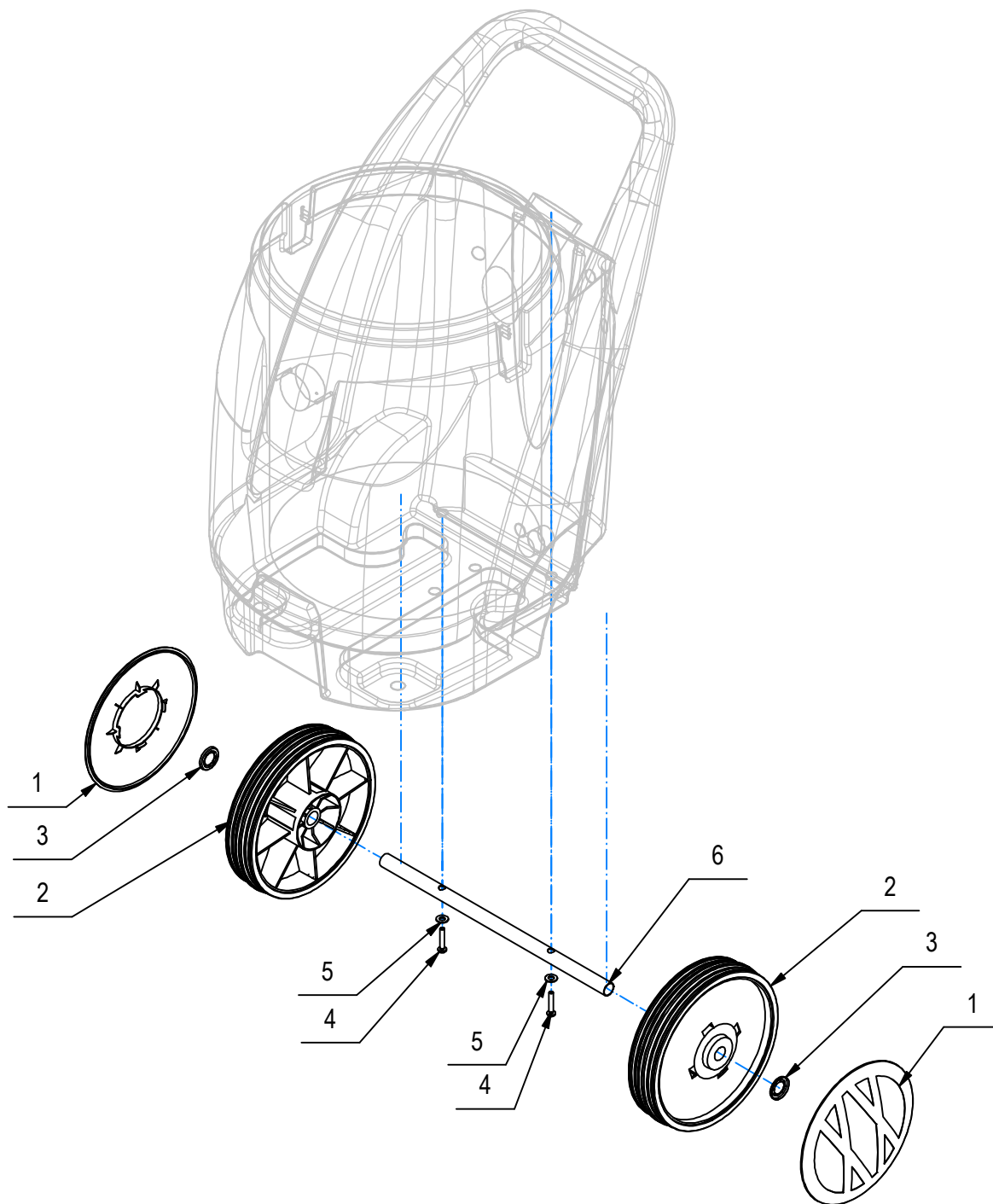
COMPLETE TANK KIT

Pos.	Q.ty	Description
1	1	TANK
2	2	SELF-TAPPING SCREW
3	4	RIVET
4	1	DRAIN HOSE
5	2	CASTER WHEEL
6	2	STARLOOK D. 20MM
7	2	SCREW
8	1	CLIP
9	4	SCREW
10	3	RUBBER CLAMP
11	1	DRAIN STOP
12	1	ACCESSORY NET
13	2	TANK BUCKLE
14	1	INLET COUPLING
15	1	GASKET
16	1	AXLE
17	2	REAR WHEEL
18	1	SEAL
19	6	WASHER D18 UNI 6593 ZINC



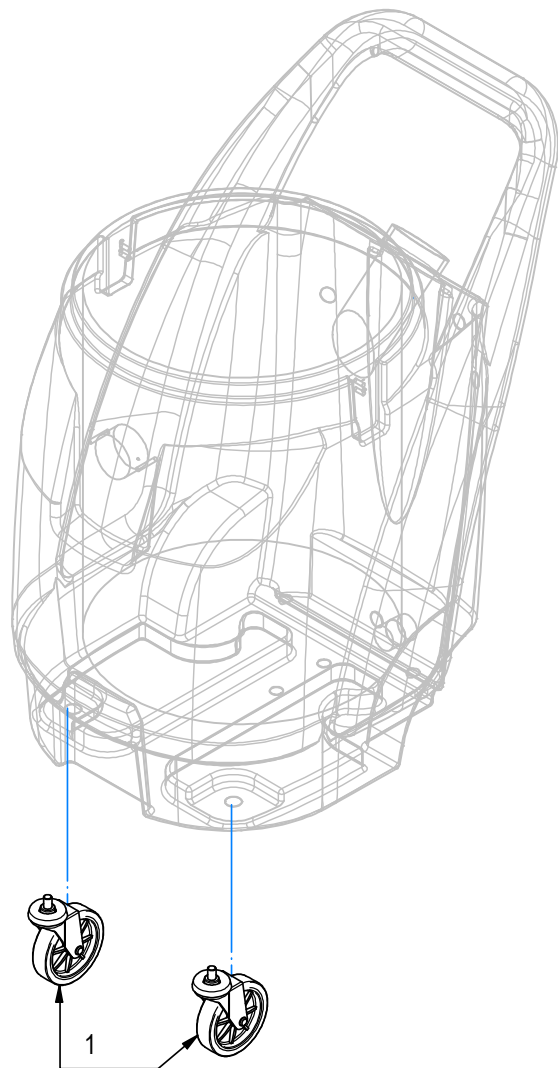
VTVS1026KIT

Pos.	Q.ty	Description
1	1	FILTER
2	1	TOP FLANGE
3	1	BASKET



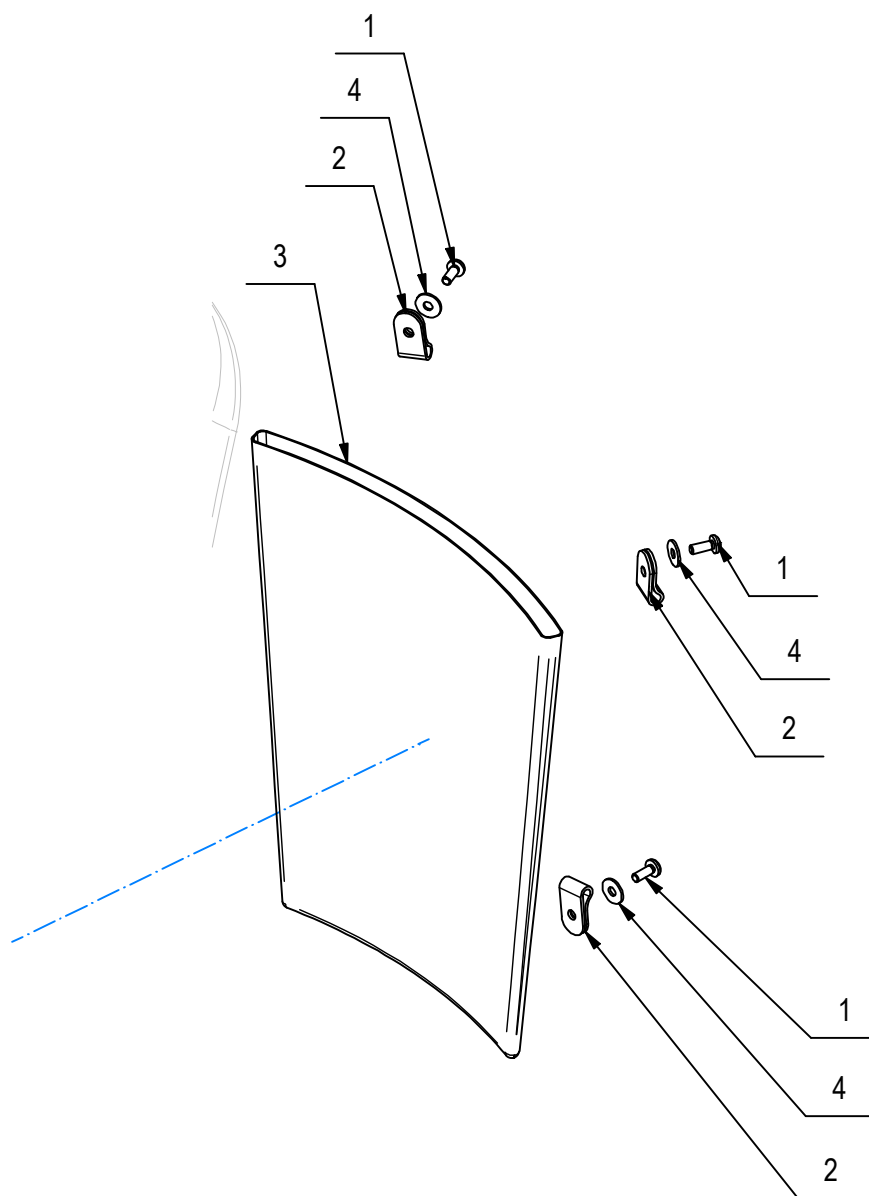
VTVS1074KIT

Pos.	Q.ty	Description
1	2	HUB CAP
2	2	REAL WHEEL
3	2	STARLOOK D. 20MM
4	2	SCREW
5	2	WASHER D17 UNI 6592 ZINC.
6	1	AXLE



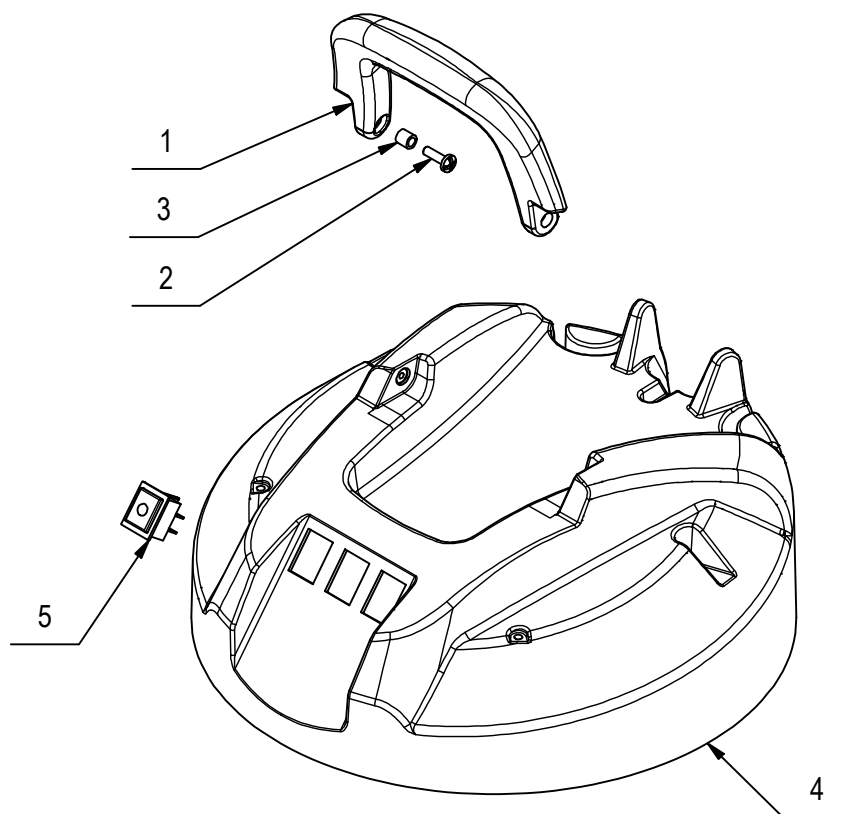
VTVS1071KIT

Pos.	Q.ty	Description
1	2	CASTER WHEEL



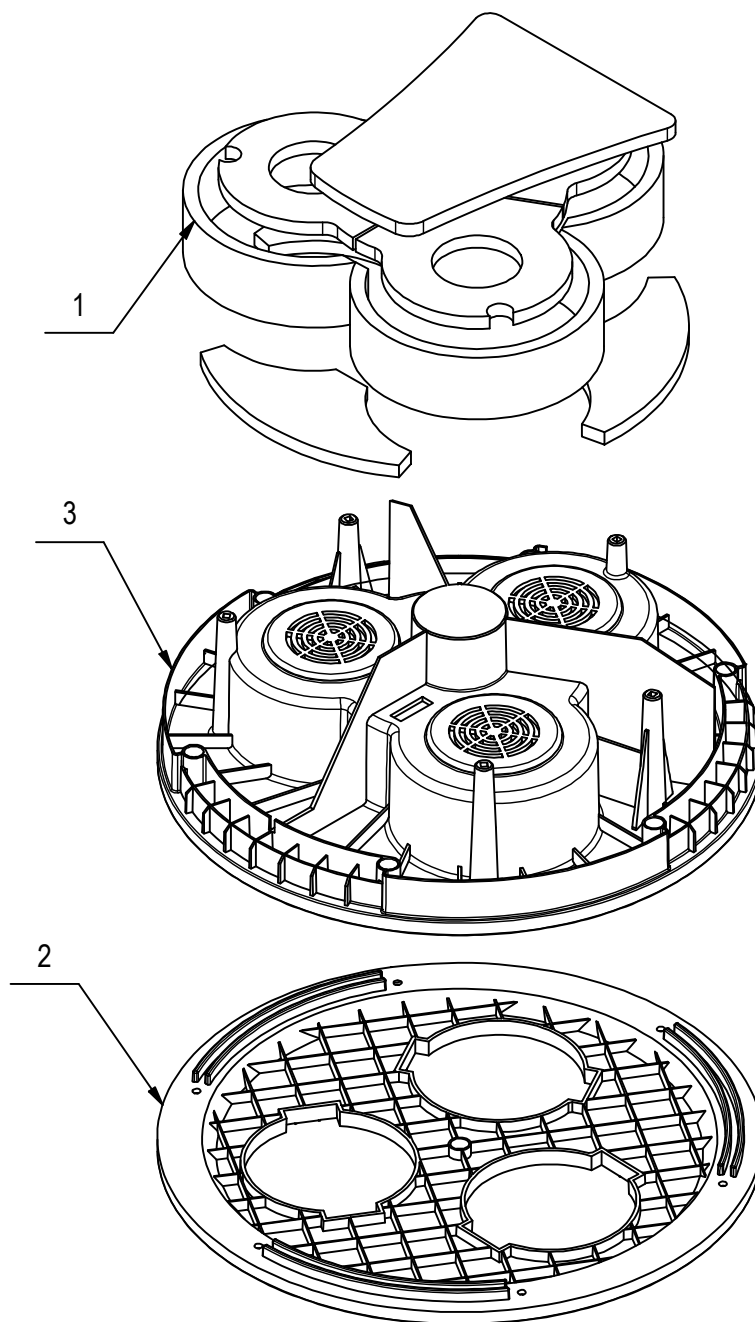
VTVS1082KIT

Pos.	Q.ty	Description
1	3	SCREW
2	3	CLAMP
3	1	ACCESSORY NET
4	3	WASHER D18 UNI 6593 ZINC



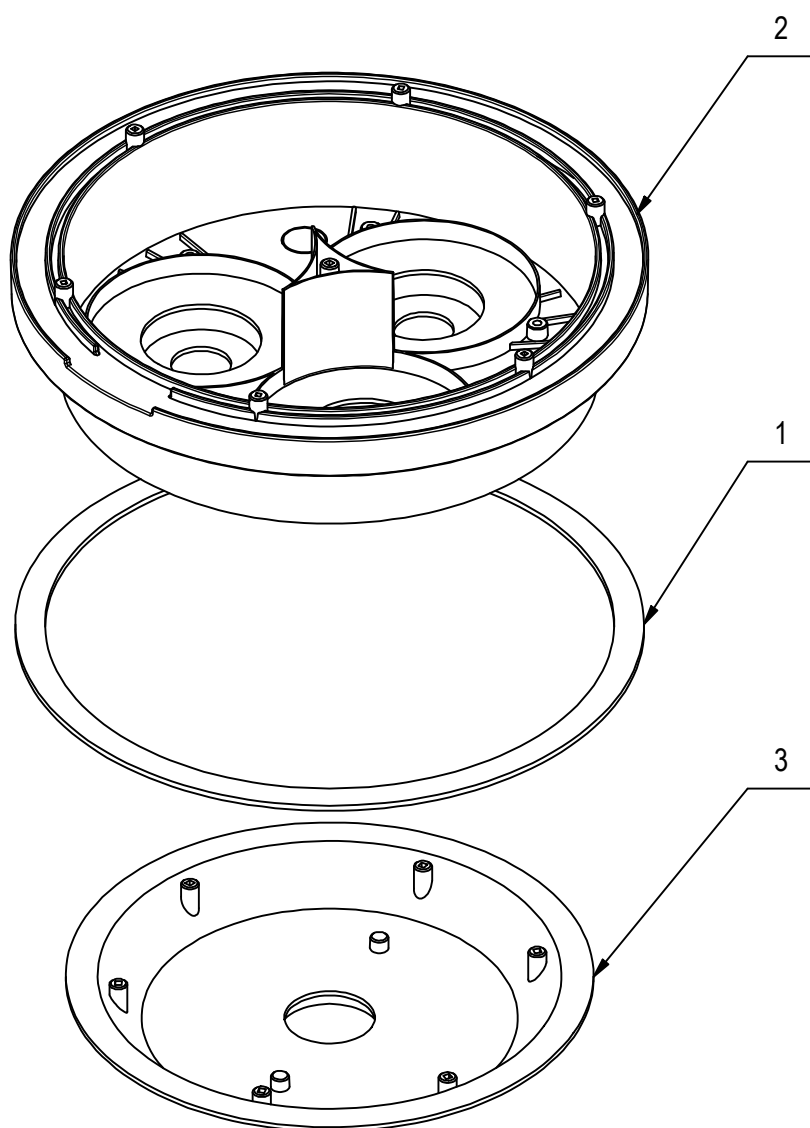
VTVS1002KIT

Pos.	Q.ty	Description
1	1	HANDLE
2	2	SCREW
3	2	BUSH
4	1	TOP COVER
5	1	SWITCH



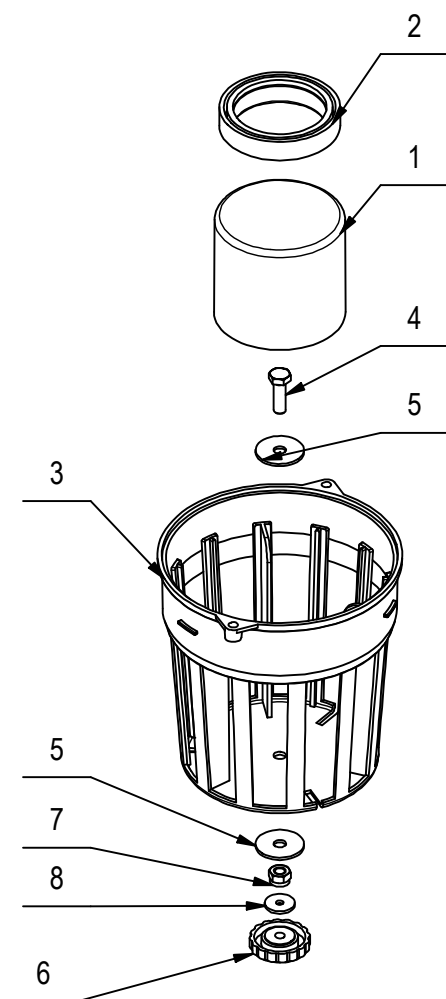
VTVS1019KIT

Pos.	Q.ty	Description
1	1	FOAM SUPPORT
2	1	COVER
3	1	MOTOR COVER



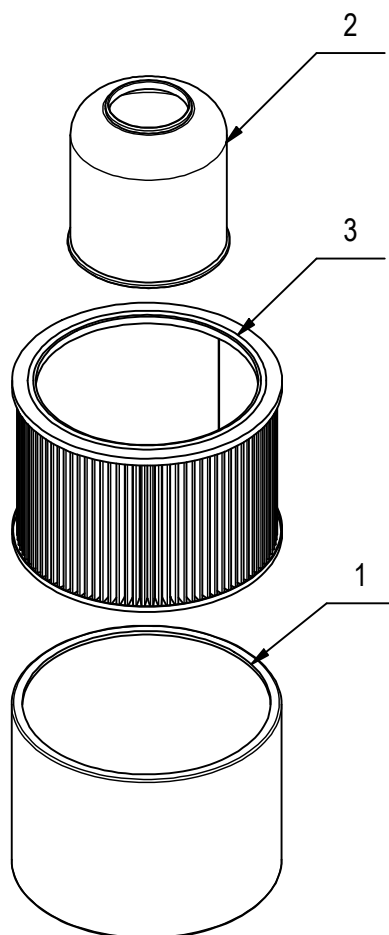
VTVS1001KIT

Pos.	Q.ty	Description
1	1	GASKET
2	1	MOTOR BASE
3	1	SEPTUM FILTER



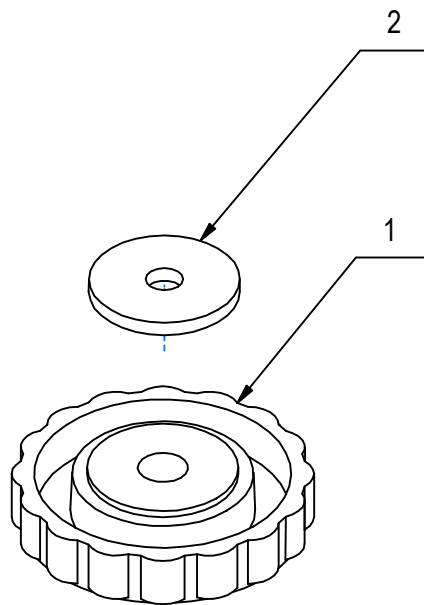
VTVS1015KIT

Pos.	Q.ty	Description
1	1	FLOAT
2	1	GASKET
3	1	FLOAT CAGE
4	1	SCREW M8x25 TE UNI 5739 A2
5	2	WASHER
6	1	HANDWHEEL V/40/PS M8
7	1	NUT M8 UNI 7474 AISI
8	1	RUBBER GASKET



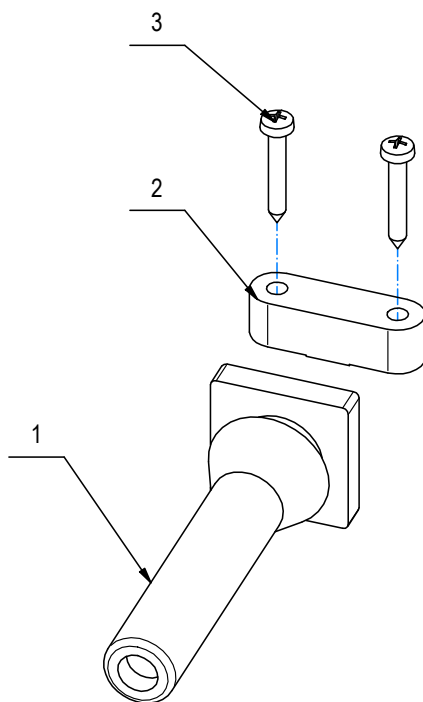
VTVS1086KIT

Pos.	Code	Q.ty	Description
1	VTVS7026L	1	CYLINDER FILTER POLICABON+ELASTIC D250H180
2	VTVS7020L	1	CARTRIDGE FILTER
3	VTVS086XLR	1	TEAM FILTER 2-3 MOT. DOUBLE SEAL



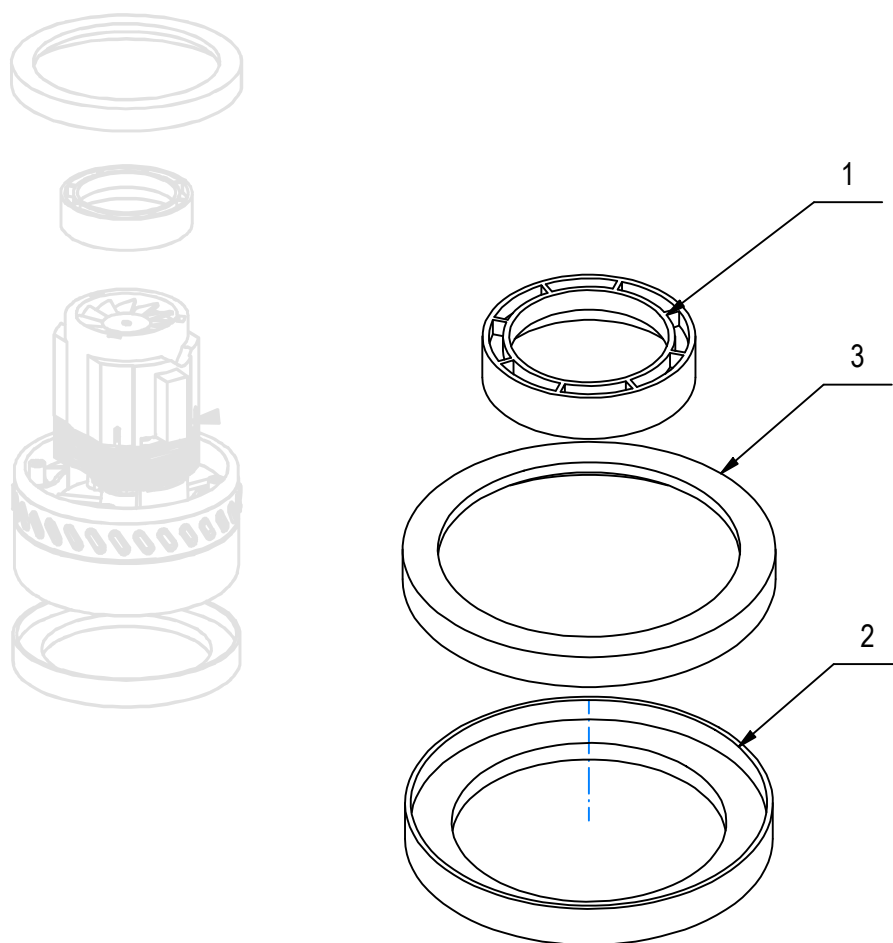
VTVS1087KIT

Pos.	Q.ty	Description
1	1	HANDWHEEL V/40/PS M8
2	1	RUBBER GASKET



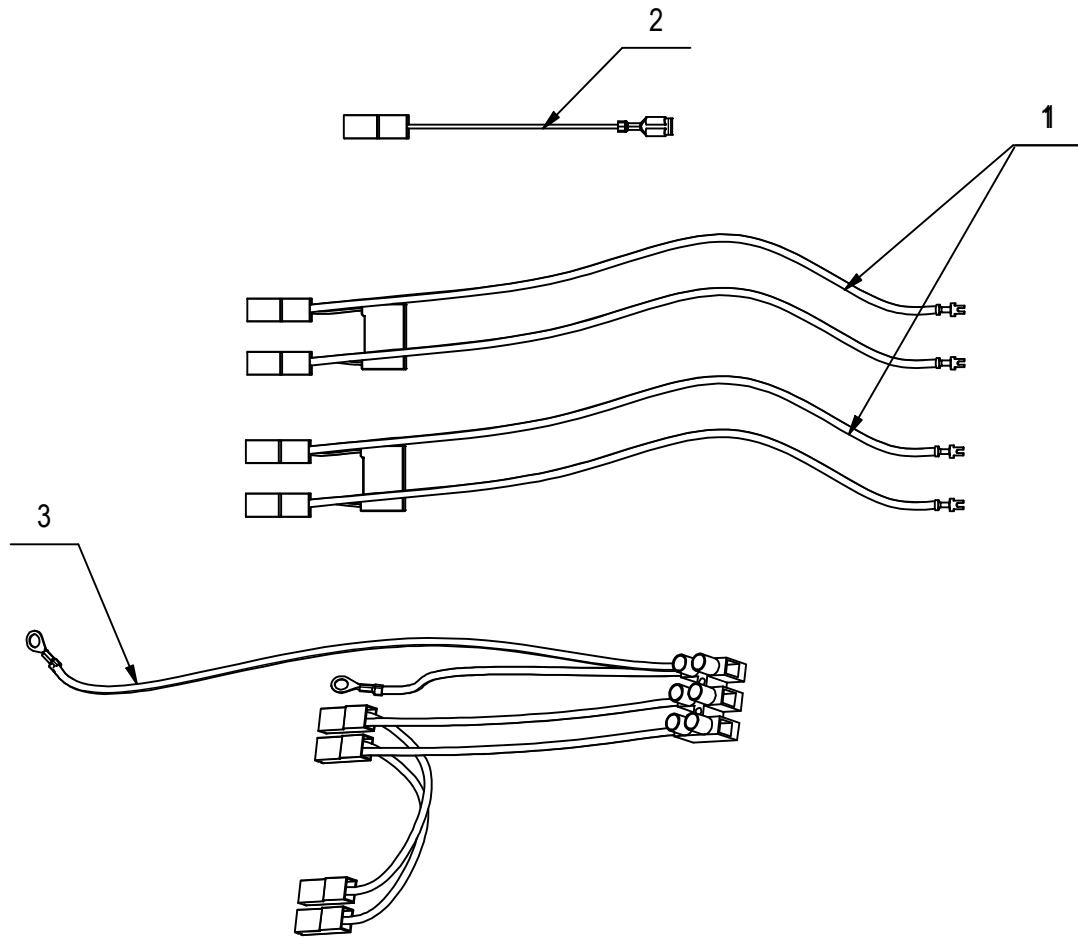
VTVS1007KIT

Pos.	Q.ty	Description
1	1	FAIRLEAD
2	1	CABLE GRIP
3	2	SELF-TAPPING SCREW



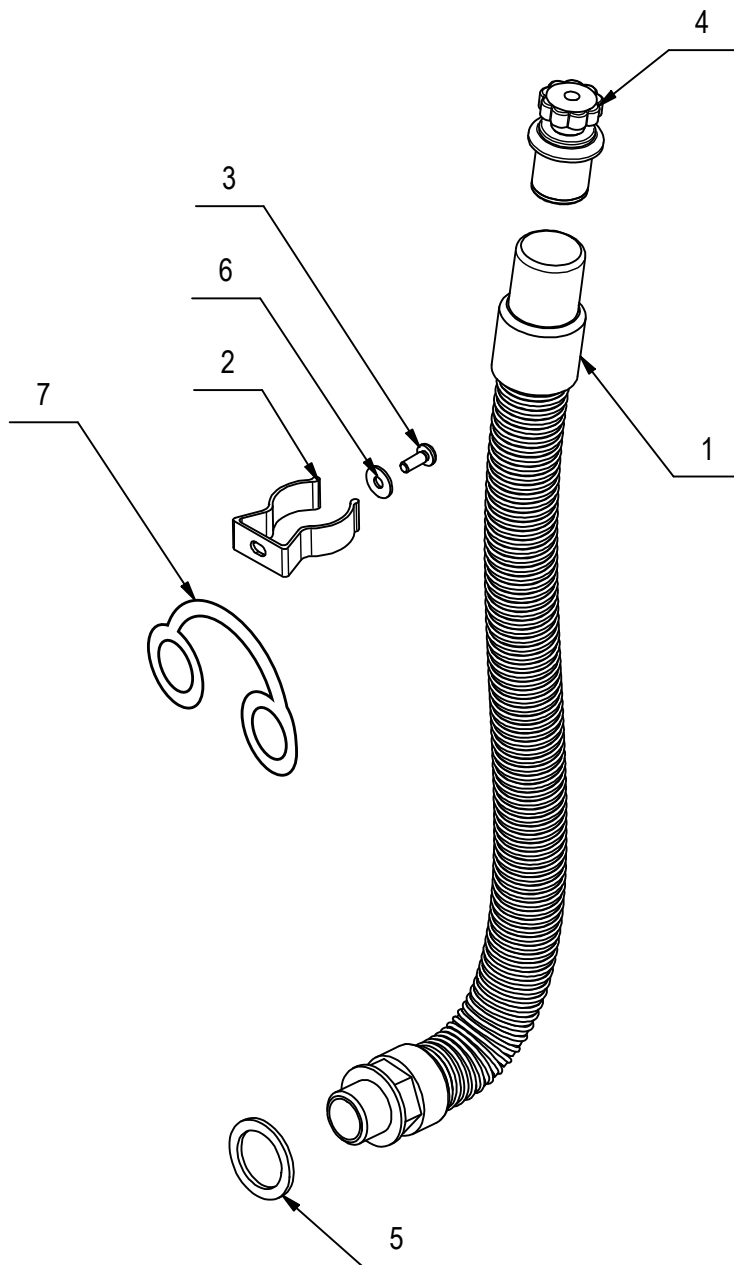
VTVS1004KIT

Pos.	Q.ty	Description
1	1	MOTOR GASKET
2	1	MOTOR GASKET
3	1	MOTOR GASKET



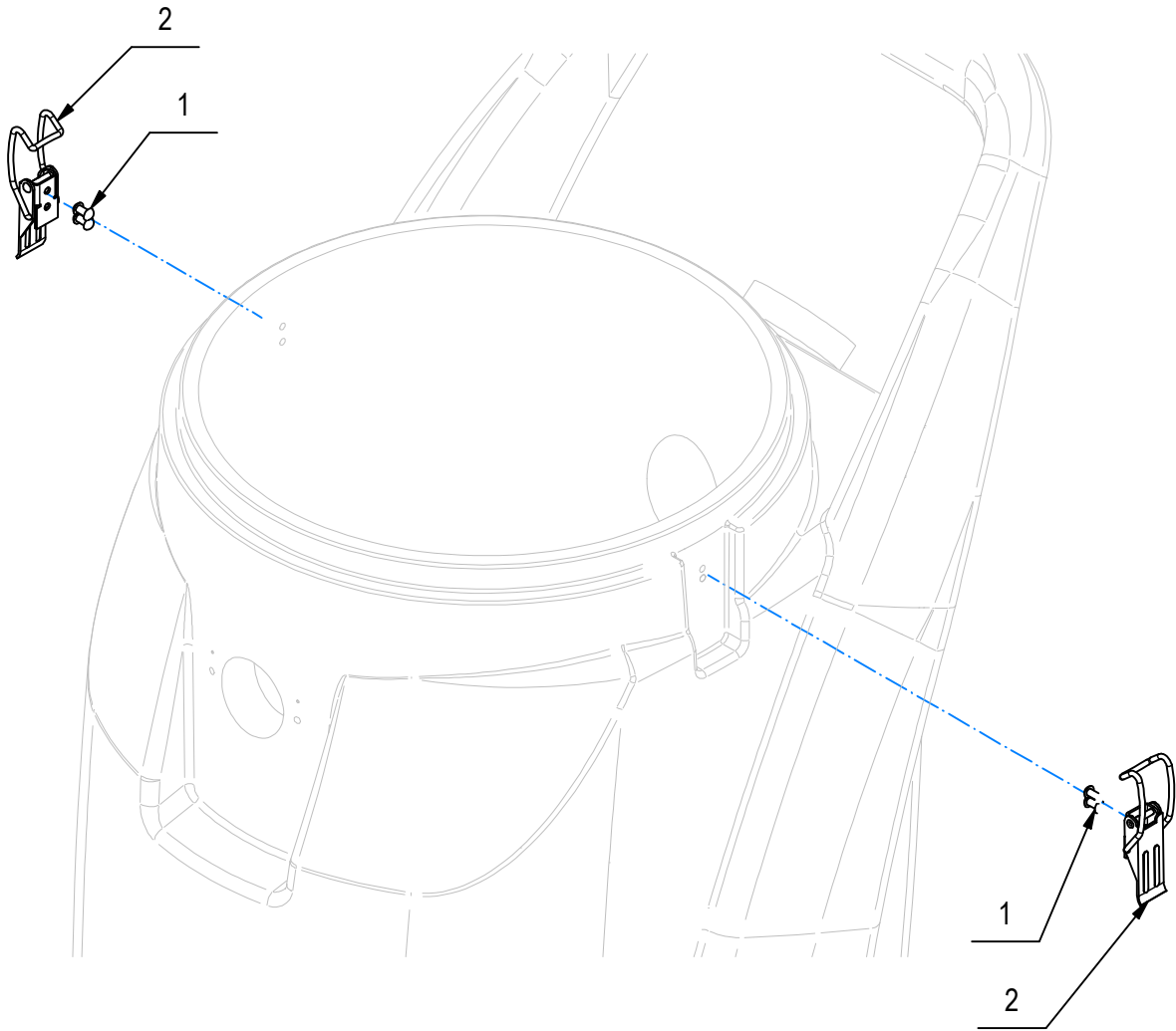
VTVS1022KIT 240 VTVS1022KIT 110

Pos.	Q.ty	Description
1	2/3	MOTOR CABLE x TOP/WET
2	1 2/3	WIRE
3	1	WIRING HARNESS



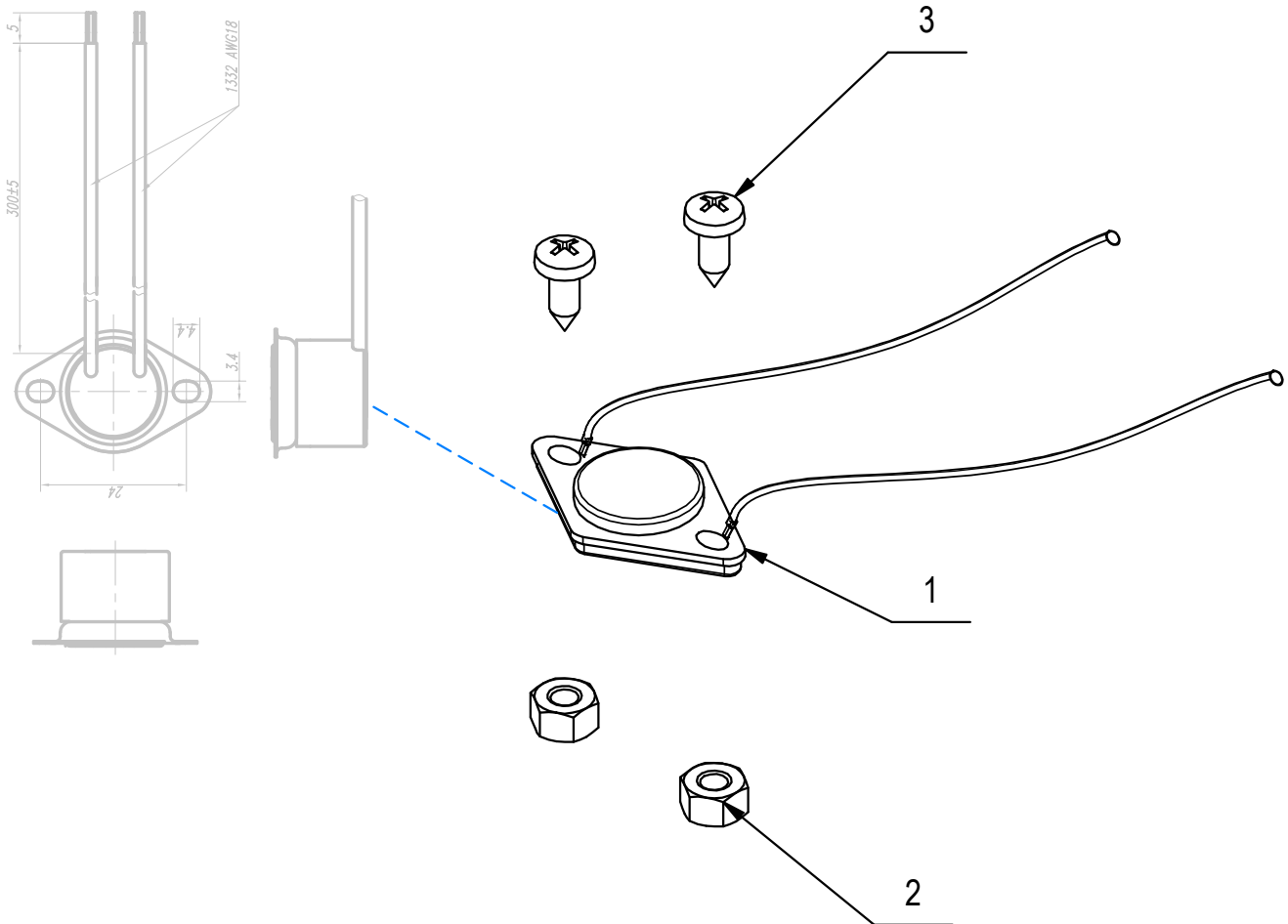
VTVS1089KIT

Pos.	Q.ty	Description
1	1	DRAIN HOSE
2	1	CLIP
3	1	SCREW
4	1	DRAIN STOP
5	1	SEAL
6	1	WASHER D18 UNI 6593 ZINC
7	1	RUBBER HOLDER



VTVS1068KIT

Pos.	Q.ty	Description
1	4	RIVET
2	2	TANK BUCKLE



VTVS10

Pos.	Q.ty	Description
1	1	WATERPROOF THERMAL CUT OUT SWITCH WITH AUTOMATIC RESET 90 DEGREES
2	2	NUT
3	2	SCREW

INTRODUCTION

Thank you for purchasing a product from the V-TUF Industrial Cleaning Equipment range. V-TUF is focused on research and development to make sure you are fully satisfied with your purchase. Please read this manual carefully and follow the instructions to ensure you get the best performance from this machine. Congratulations on your choice and we trust you will obtain satisfaction from using it.



IMPORTANT POINTS TO NOTE AT ALL TIMES!

1. Always ensure you are using the correct combination of filters for the task you are on. (See page 4.)
2. If you experience vacuum loss, please clean the filters, check & clear the blockage in the suction line, and blast the vacuum head vents with air, so you have maximum suction power. (See page 4 & 5.)
3. Do not leave the vacuum motors running if there is loss of suction, as they can overheat.
4. After every hour of use especially when vacuuming dry flammable dust, blast the filters clear with an airline and blast the vent areas in the vacuum head to clear any build-up of dust. (See page 4 & 5.)
5. Never use standard extension cords on the 240 volt machines, as these are not sufficient for three motor operation and can burn the motors out – use the 'Motor saver' extension cords (see page 14)

GENERAL INFORMATION

1. This manual has been included as an integral part of the appliance and should be carefully read through before using the machine.
2. Take the appliance out of its packaging and make sure it is in perfect condition, including accessories and any optional extras you have purchased from the V-TUF range.
3. Make sure that the electrical data of the appliance, shown on the label, corresponds to those of the mains supply.
4. The appliance must only be used with V-TUF accessories and spare parts as these ensure safe and perfect operation.
5. The manufacturer disclaims all liability for injury to persons and animals and damage to things due to the irresponsible use of the appliance and to the use of non-original accessories and spare parts.
6. The repair and/or replacement of the various component parts, especially electrical parts, must be done by skilled personnel.
7. The appliance is suitable for use in a range of applications: (hotels, schools, factories, shops, etc...)

INSTALLATION

1. Check the position of the filter and the clips that fasten the head to the tank. Incorrect filter positioning can cause serious damage to the machine.
2. Fit the hose to the vacuum connector; fit the required accessory to the end of the hose. In the case of extractor models fit the pipe on the connector provided on the head and fit the required accessory to the end of the pipe.
3. Connect the power cable of the appliance to the power socket with switches on "0" (OFF POSITION).



For general DRY material vacuuming and a bit of WET material vacuuming (typical in auto valeting), ensure the Aqua-dry and the Foam filter is in place. (See image 4)

5. To vacuum liquids, empty the dust from the container, remove the main Aqua-Dry basket filter and ensure the foam filter is fitted. (See image 5 on the right)

After the vacuum has been used for wet use ensure the tank and foam filter is dry before vacuuming dry material.



Important: If you are vacuuming a lot of fine dust, we advise you to fit the optional High Efficiency FILTER - VTVS7026L, fits over the main basket filter, as shown in the image. This filter must be used for grain store cleaning on farms or in industry where there is fine dust or if you notice your machine losing suction quickly.

6. The noise level is below 85 dB(A)

OPERATION INSTRUCTIONS

1. Ensure that there is sufficient ventilation for the machine and the operator
2. Make sure the machine on a sound and stable surface.
3. Ensure the machine is switched to the off position, connect to the correct and sufficient power source, switch machine on, use according to the guidelines and turn machine off after operation.

IMPORTANT

1. The wet and dry machines feature a floating valve that interrupts the vacuum when the tank is full of liquid. When this occurs, turn the machine off and empty the entire contents of the tank.
2. Do not use your machine if it is not functioning correctly. Regularly inspect electrical leads and connections, filters and listen for unusual noises. If in doubt, contact your nearest service centre for advice.

MAINTENANCE

MAINTENANCE

1. The filter element can be blown clean OR washed with water. Ensure that it is completely dry before the operation.
2. Replace the vacuum filter if it acquires holes, torn or damaged. Holes and/or cuts on the sides of the filter could allow transit of dust / materials and become the cause of serious damage to the user and surrounding people, and the appliance.
3. Check and free the blocked parts (vacuum pipes, connector, brushes, etc.) from any deposited materials.
4. If necessary, clean the tank and in any case, never leave dust or liquid residues in the tank for long periods of time.
5. Fires can be started by excess flammable dust, so it is recommended for the vac head to be blown out with air periodically. Blast the inlet to motors with air and blast the exhaust ports with air. (See image)
6. If the filters have not been fitted correctly and the dust has gone through the motors, undo the 5 screws on top of the machine and blast the area under the cover and the fans of the motors clean.



IMPORTANT INFORMATION

Never use the machine if you are unsure, or become uncertain due to any faults of any kind, including those not mentioned in this manual.

Technical Information

Model	XR11000
Capacity	110 Litres
Working Voltage	110 & 240 Volts
Motor Power	2400/3600 Watts
Function	Wet & Dry Vacuuming
Air Flow Rate	106 L/SEC
Cooling Mode	250mm
Tank Diameter	370mm
Height	970mm
Accessories	Ø38mm Accessories Kit
Power Cable	5m

Safety Instructions

These instructions are for the user's safety, and all users of the V-TÜF cleaning equipment should ensure to have read this literature before using the machine.






- Do not use with a damaged cable.
- Do not run over the cable.
- Should be inaccessible for children and pets.
- Do not use in the presence of flammable gasses.
- Do not clean up any hot material, e.g. ash.
- Always turn off the machine, and then unplug it, before you service the machine.
- Do NOT use this machine without the filters, as this is a health hazard and motor damage will also come as a result.

All repairs on V-TÜF products should be done by a V-TÜF service representative.

- If the machine shuts down, be sure to turn off the machine and unplug it before troubleshooting.
- For safety, the machine contains an electronic overload protection.
- Always turn off and unplug the machine when it is not in use.
- If any part of the appliance becomes damaged or fractured, it must be replaced by a V-TÜF engineer.

SAFETY PRECAUTIONS

Caution: what to do

1. All power conduction parts must be protected against water. SHORT-CIRCUIT RISK.  
2. All services or maintenance performed on the appliance must always be done with the plug disconnected from the power supply.  
3. Operation with a residual current circuit breaker provides extra protection for the operator ($I_n=30$ mA).
4. Only ever use the appliance for the purposes for which it has been designed and manufactured. ACCIDENT RISK. 
5. If vacuum exhaust starts emitting water or foam, turn off immediately and waste level and ensure all correct filtration is present.



Caution: what not to do

1. Do not leave the machine running and unguarded nor within reach of children, animals or persons that are not responsible for their own actions.

ACCIDENT RISK. 

2. Do not vacuum inflammable combustion substance (e.g.: hot ashes), explosive and toxic substances, electrostatic or substances that are dangerous for health. EXPLOSION OR

POISONING HAZARD   

3. Do not rest the vacuum inlet on or move this close to delicate parts of the body (eyes, ears, mouth, etc.). ACCIDENT RISK.  

4. Do not touch the plug and/or socket with wet hands. ELECTRIC SHOCK RISK.



5. Do not soak the appliance or spray it with liquid substances. SHORT-CIRCUIT.

6. In the case of extractor models, only use detergents compatible with vacuum and pipe covering materials.

ACCIDENT RISK.

7. Do not pull or lift the appliance using the power cable. SHORT-CIRCUIT RISK.



VACUUM CLEANER

SAFETY INDICATIONS

Operator safety

This manual is to be considered as an integral part of the general user manual and provides the necessary instructions for the special class M dust vacuum cleaners.

Therefore the supplied general instruction booklet must be read beforehand.

In addition to the user instructions and the current regulations in the country of use, the sector's recognised technical regulations for the safe and appropriate use of this equipment must also be followed.

The UNI 10720 standard (Guidelines for selection and use of respiratory protective devices) establishes the guidelines for the criteria of selection, use and maintenance of respiratory protective devices

Transport and handling

ATTENTION

Be sure to close all of the dirt container's locking hooks before transport.

Do not turn the device upside down.

Possible uses for the vacuum cleaner

The vacuum appliances to which these user instructions refer are suitable for professional use and, in particular, for the control of dusts with an exposure limit value as per the class rating of the Vacuum cleaner. This is stated on the side of the tank. H CLASS

The collection of the following materials are forbidden:

- Incandescent materials;

- liquids;

- flammable and explosive dusts (for example, magnesium dusts, aluminium dusts, etc.);

The use of this device for the elimination of dusts must be performed in rooms or environments which are sufficiently ventilated whenever the device's exhaust returns into the environment itself. The user must respect the current national regulations in the country in which the device is being employed.

The equipment's end user must be read and understood for its use before beginning any work activities, taking note of the safe usage regulations. The user must also receive instruction regarding the dangers deriving from the aspirated materials and the methods for their safe disposal.

Maintenance, cleaning and repair

Only perform the maintenance work described in this booklet on the equipment. In case of uncertainty, contact the dealer or an authorized service centre.

BEFORE FIRST USE

Vacuum assembly and testing

Before using the device, check that:

No foreign elements are present within the container.

Ensure that the head is fastened down with the head clips. This guarantees an air-tight seal.

The hose is correctly connected to the tank.

the machine is connected to the correct electrical supply.

Initial working phase check

Before beginning to vacuum, check that the filters fit properly within the device and that they are positioned correctly.

Check that the main cap of the tank and the cap on the drain hose are firmly in place (see below):



The vacuum has a float valve to seal the air flow to the vacuum motors when the liquid being vacuumed reaches the maximum level in the tank.

The motors will still run but the sound will become higher and there will be no more suction.

The following must be done:

1. Switch off all motors
2. Loosen the hand nut on the drainpipe & remove the plug (see figure below)



3. Drop drainpipe to an area you wish to dispose of the liquid. (See below)
Please note: You cannot run the vacuum motors while doing this.



USE OF THE DEVICE

ATTENTION The aspiration of flammable dusts/substances is forbidden.

The sector's reference standard, EN 60335-2-69/A1:2004, lists the dusts which present a risk of explosion when brought into contact with ignition sources.

A filter bag must always be inserted into the container when the device is to be employed for vacuuming dry substances with MaK values.

For innocuous dusts, a lower-performance paper filter bag is also available.

FILTER BAG REFERENCE TABLE:

CODE	DESCRIPTION	VACUUM MODEL
VTVS7021U	Cartridge ULPA Filter	XR11000
VTVS055	Polyester Filter Bag	XR11000



ATTENTION

The dust collection bag must not be filled past $\frac{3}{4}$ of their capacities. Check periodically during use. Do not vacuum liquids or particularly humid substances while the bag filters are installed.

END OF WORK ACTIVITIES

After hazardous dusts have been vacuumed, the user must open the vacuum.

Disconnect the device's power supply by removing its electrical plug from the outlet.

Empty the container and clean the vacuum.

Store the vacuum in a safe place where it cannot be accessed by unauthorised personnel.

MAINTENANCE: FILTER REMOVAL



ATTENTION

Be careful to not stir up dusts when performing cleaning operations, filter checks or filter replacements. Use a protective mask. Or a V-TUF filter cleaning box.

Replacing the filter bag

Undo the head clips and remove the head.

Remove the used filter bag and close the inlet with the tag as shown below. Dispose of the bag in the correct manner.



Fit the new filter bag, making sure that the bag's membrane seal fits perfectly over the internal slot of the tank inlet and that the bag fits neatly around the edge of the tank internal. Refit the head ensuring that the clips are completely closed and there is no parts of the dust bag exposed.

Emptying the dirt from the container



ATTENTION The container can only be emptied when the device has been employed for vacuuming innocuous dusts without the use of a filter bag.

Remove the device's cover, turn the container upside down and empty it.

The waste materials must always be disposed of in compliance with the current local laws.

Replacing the filtering element

Open the closure hooks, lift the vacuum's cover from the container and set it down with the filtering system oriented upwards (use the container as a support surface if necessary).

Unlock the plastic anti-impact basket, by turning it counter clockwise, and extract it; unscrew the tightening knob; slowly remove the filter, placing it in a bag with an air-tight seal. Dispose of the used filter in compliance with the current local laws.



Clean the areas covered by the filter and insert a new filter by following the removal procedure above in the opposite order.



ATTENTION Never use the vacuum without a filter installed.

TROUBLESHOOTING

PROBLEM	PROBABLE CAUSE	PROBABLE SOLUTION
The machine does not start	No current.	Check main fuse, power cord, plug and outlet.
The machine suddenly stops	Because of overheating, the thermal protection turns the Machine off (feature only available on extraction machines).	After the machine has cooled down, you can turn the power on again and begin to use the appliance again.
Reduced suction power.	Filter, nozzle, hose or tube clogged.	Check and clean
Suction power suddenly drops	Tank full.	Stop the machine and empty the tank.
RED LIGHT/BEEPER SHOWING	Blocked hose, Blocked poles, Blocked floor tool. Full Bag, Blocked filter. Power tool has poor airflow allowance.	Shake item with the blockage to dislodge items causing the issue. Change bag. Clean filter.

MAINTENANCE LOG

EQUIPMENT HISTORY SHEET

Unit: Serial Number:

Model:

Log all electrical and product safety and performance tests

Date of last test : / /

Date of next test : / /

Date	Approx Hours Run	Inspected By (Company, print name, sign)	Satisfactory YES/NO	Defects and or remarks

V-TUF[®]

www.V-TUF.COM