

V-TUF[®]



BACKPACK VACUUM CLEANER OPERATOR MANUAL



Please read this manual before using the RUCKVAC Vacuum Cleaner

IMPORTANT SAFETY INSTRUCTIONS

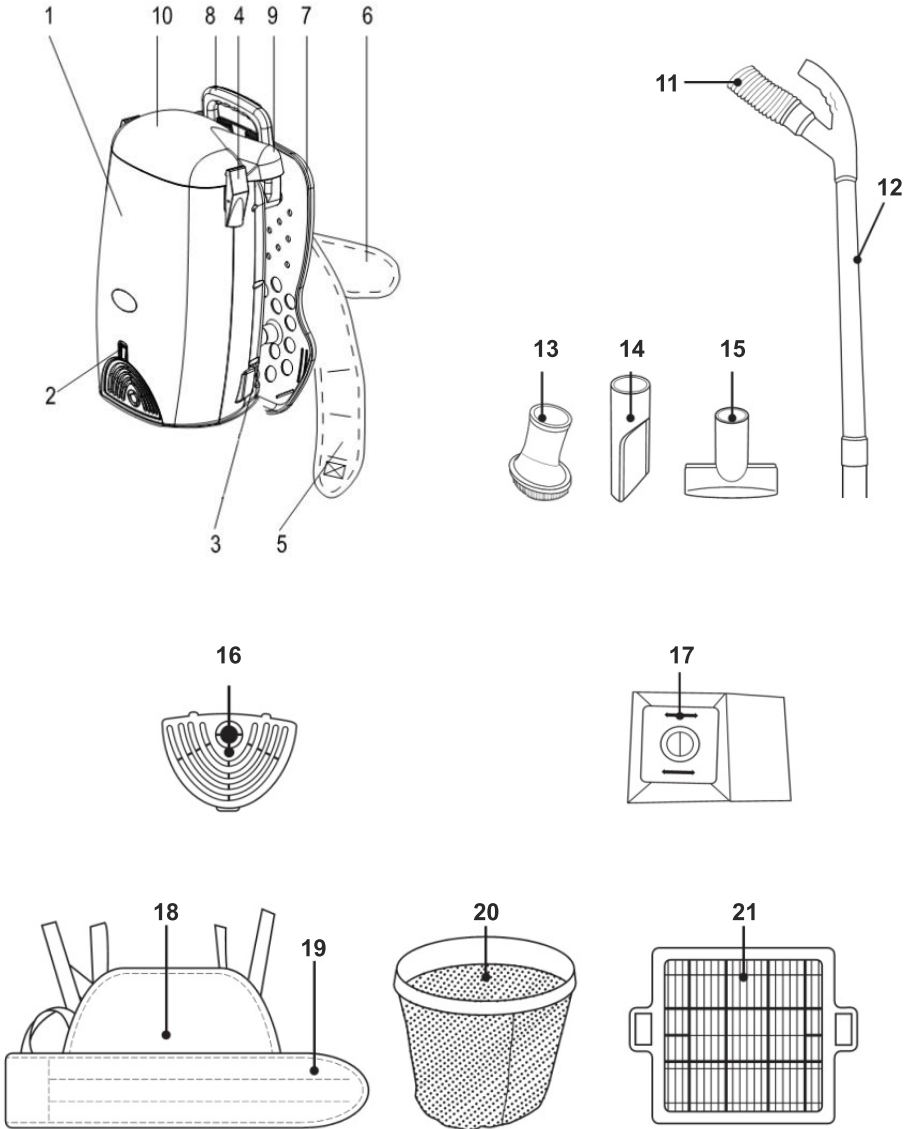
When using your Vacuum, basic safety precautions should always be observed, including the following:

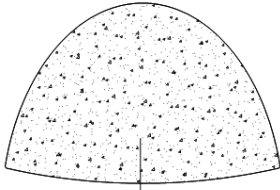
Read all instructions before using this vacuum.

1. **Do not** leave vacuum cleaner unattended when it is plugged in. Unplug from outlet when not in use and before removing filters.
2. **Do not immerse the vacuum into water or other liquids.**
3. Use only as described in this manual. Use only manufacturer's recommended attachments.
4. **Do not use with damaged cord or plug. Do not use vacuum cleaner if** it has been dropped, damaged, left outdoors, or dropped into water. Return appliance to **V-TUF** for examination, repair or adjustment.
5. **Do not pull or carry by cord. Do not use cord as a handle, close a door on** cord, or pull cord around sharp edges or corners. **Do not** run appliance over cord. Keep cord away from heated surfaces.
6. **Do not unplug by pulling on cord. To unplug, grasp the plug, not the cord.**
7. **Do not handle plug or vacuum cleaner with wet hands.**
8. **Do not use the vacuum cleaner to pick up large objects or objects that are** likely to damage the vacuum cleaner.
9. Keep hair, loose clothing, fingers, feet and all parts of body away from openings, rotating agitator and other moving parts. **Do not** operate cleaner in bare feet or when wearing open toe shoes.
10. **Do not** pick up hot coals, cigarette butts, matches or any hot, smoking, or burning objects.
11. **Do not** pick up hard or sharp objects such as glass, nails, screws, coins, etc.
12. **Do not use without all filters in place. Use ONLY filters and accessories** provided by **V-TUF**. Failure to do so will void the warranty.
13. Turn off all controls before plugging or unplugging vacuum cleaner into electrical outlet.
14. Use extra care when vacuuming on stairs.

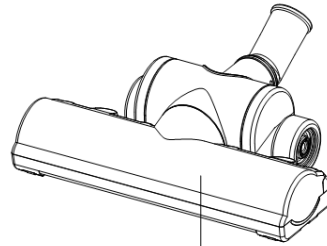
15. **Do not** pick up flammable or combustible materials (lighter fluid, gasoline, kerosene, etc.) or use in the presence of explosive liquids or vapour.
16. **Do not** pick up toxic material (chlorine bleach, ammonia, drain cleaner, etc.).
17. **Do not** use in an enclosed space filled with vapours given off by oil based paints, paint thinner, moth proofing substances, flammable dust, or other explosive or toxic vapours.
18. Use only on dry, indoor surfaces.
19. **Do not put any objects into openings. Do not use with any opening blocked.** Keep free of dust, lint, hair and anything else that may reduce air flow.
20. Always store your appliance indoors in a cool, dry area.
21. Keep your work area well lit.
22. Keep end of hose, wands and other openings away from your face and body.
23. This appliance is not intended for use by persons (including children) with reduced physical, sensory or mental capabilities, or lack of experience and knowledge, unless they have been given supervision or instruction concerning use of the appliance by a person responsible for their safety.
Children should be supervised to ensure they do not play with the appliance.

GETTING TO KNOW YOUR RUCKVAC BACKPACK VACUUM





22



23

1. Main Unit
2. Exhaust Grill Port
3. On/Off Power Switch
4. Canister Lid Tabs
5. Waist Band
6. Shoulder Straps
7. Back Board Panel
8. Carry Handle
9. Hose Inlet
10. Canister Lid
11. Flexible Hose
12. Plastic Tube
13. Dusting Brush
14. Crevice Tool
15. Pet Hair Remover
16. Exhaust Grill
17. Paper Dust bag
18. Waist Band Back Support Panel
19. Waist Bang Tool Carrier
20. Cloth Dust Bag
21. HEPA Pre-Motor Filter
22. Exhaust Filter
23. Turbo Floor brush(optional)

OPERATING INSTRUCTIONS

WARNING

To reduce the risk of electric shock, the power cord must be disconnected before removing the dust bag, cloth bag, changing the filters or performing maintenance or trouble – Shooting checks.

ASSEMBLING YOUR VACUUM

Note. Always remove the power plug from the wall outlet before assembling or removing accessories.

INSERTING THE DUST BAG

Note. This unit can be used with the Shake-Out Bag alone, however it must be cleaned after every use if there is no Dust Bag installed.

Important. Do not use the vacuum with out all filters, cloth bag, and with or without Dust Bag in place.

1. Unplug the hose connecting power cord and remove the flexible hose.
2. To open the canister lid press on the canister lid tabs on each side of the unit and lift canister lid. (Fig.1)
3. Pull the tab on the Dust Bag holder out slightly and flip upwards. (Fig.2)
4. Holding the Dust Bag in your hand, slice it firmly between the slots in the bag holder. (Fig.2)
5. The cardboard face of the new bag should rest securely in the Dust Bag cover guides. (Fig.3)
6. Ensure that the Shake-Out Bag is in place. (Fig.4)
7. Flip the dustbag holder over, pressing the tab on the bag holder until it clicks, then replace the canister lid.
8. The canister lid can be replaced on the unit with the hose opening on the right or left, as per your preference. (Fig.5)

ATTACHING THE FLEXIBLE HOSE TO THE VACUUM

The flexible hose should be connected to the vacuum before strapping the unit.

1. To connect the flexible hose into the hose inlet, insert the threaded end of the flexible hose into the hose inlet and turn counter-clockwise until it locks into place. (Fig.6)
2. Plug the power cord into the electrical outlet.

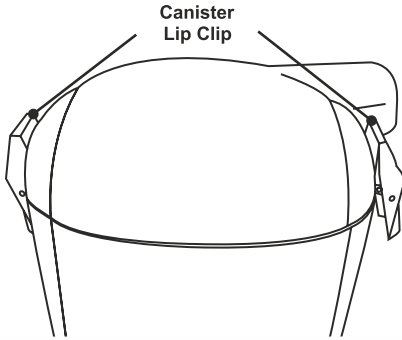


Fig 1

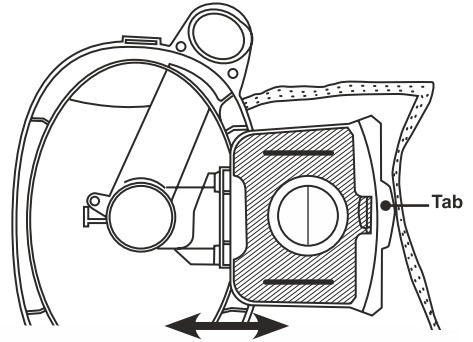


Fig 2

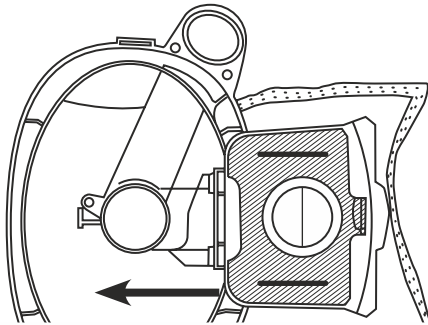


Fig 3

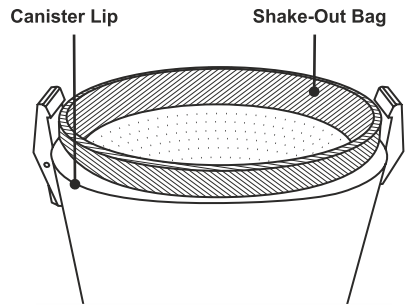


Fig 4

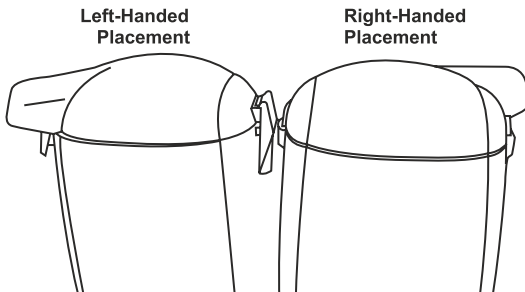


Fig 5

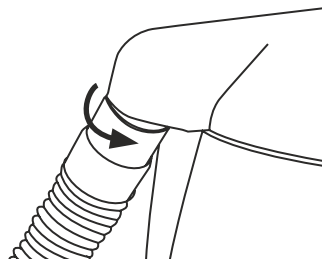


Fig 6

3. To remove the flexible hose, unplug the power cord and then turn the hose. To remove the telescopic tube from the flexible hose, press on the telescopic tube release button and pull it out. (Fig.7)
4. Step on the Floor to Carpet selector to adjust the height of the brushes. There are two different heights one for floors and one for carpets. (Fig.8)
5. To remove the telescopic tube from the floor to carpet brush, pull the telescopic tube out from the Floor to Carpet Brush.

USING THE ATTACHMENTS

Dusting Brush

The Dusting Brush is used for the furniture. (Fig.9)

Crevice Tool

Use for radiators, crevices, corners, baseboards and between cushions. (Fig.10)

Pet Hair Remove Brush

The Pet Hair Remove Brush is used for upholstery.

The unique surface makes it an excellent tool for removing unwanted pet hair. (Fig.11)

Note. This tool is not a grooming tool and should not be used on animals.

Caution. Do not use Pet Hair Remove Brush on delicate or woven fabrics that may snag. Do not use pet hair remover brush on wooden floors as this accessory might cause mild scratching.

MANUAL SUCTION CONTROL

Your vacuum cleaner includes a manual variable suction control on the flexible hose handle. The suction power can be adjusted by moving the suction regulator to the desired position between open and closed. (Fig.13)

Open gives you less suction, closed maximum suction. For example, less suction is required on upholstery and draperies compared to thick carpets, which require maximum suction.

USING THE AIR DRIVEN TURBO BRUSH

Warning. To reduce the risk of electric shock, the power cord must be disconnected before removing the HEPA Dust Pack Bag.

HEPA Pre-Motor Filter, changing the filters or performing maintenance or troubleshooting checks. The efficiency of your Air Driven Turbo Brush depends on the Bristle Brush rotating at high speed. Strong air suction is needed to accomplish this. In order to ensure that maximum air suction is maintained, please read the following instructions:



Fig 9



Fig 10

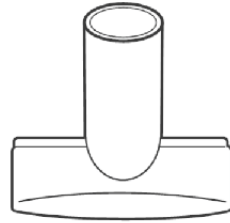


Fig 11

1. Change the Dust Bag or empty the Shake-Out Bag frequently.
2. Replace the Pre-Motor and exhaust filters as needed.
3. Ensure that the rotating brush is kept free of hair and string which may accumulate and decrease brush performance.
4. To attach the air driven turbo brush, insert the telescopic tube into the Air Driven Turbo Brush.
5. To adjust the suction control on the Air Driven Turbo Brush slide for more or less suction as desired the suction control.

Note. The driven Turbo Brush has a suction control on the top of the brush. Open or close to increase or decrease the suction as desired, i.e., open for high pile or closed for low pile carpets.

USING YOUR VACUUM

1. Insert the power plug into the wall outlet.
2. Connect hose and telescopic tube if desired.
3. Correctly place shoulder straps on each shoulder and secure the waist band with hook and loop strips. (Fig.16)

Caution. If the waist band and both shoulder straps are not properly and securely in place the unit could fall off your back causing damage or injury.

4. Turn the unit on by pressing the switch located near the base of the unit to turn the vacuum cleaner on. (Fig.17)

REMOVING AND REPLACING HEPA

To remove the Dust Bag from the vacuum:

Important. Do not use the vacuum without all filters, Shake-Out Bag, and with or without Dust Bag in place.

1. To remove the Dust Bag, press on the canister lid tabs on each side of the unit and lift canister lid. (Fig.18)
2. Pull the tab on the Dust Bag holder out slightly and lift upwards. (Fig.18)
3. Holding the Dust Bag in your hand, slide it out from the slots in the bag holder. Hold carefully in order to avoid having dust fall out of Dust Bag. (Fig.19)
4. Replace the Dust Bag with a new bag. **Do not** reuse the same bag.
5. The cardboard face of the new bag should rest securely in the dust bag cover guides.
6. Replace the Shake-Out Bag into the vacuum.
7. To replace the Dust Bag holder, flip the holder and press tab until it clicks.
8. Replace the canister lid onto the vacuum.

Warning. NEVER over fill the Dust Bag – replace when bag is full and clean the Shake-Out Bag and filter each time the Dust Bag is replaced.

CLEANING & REPLACING THE SHAKE-OUT BAG

Note. Clean the Shake-Out Bag out-doors when changing the Dust Bag.

Optimum performance is achieved by using the Dust Bag with the Shake-Out Bag decreasing the need for washing the Shake-Out Bag.

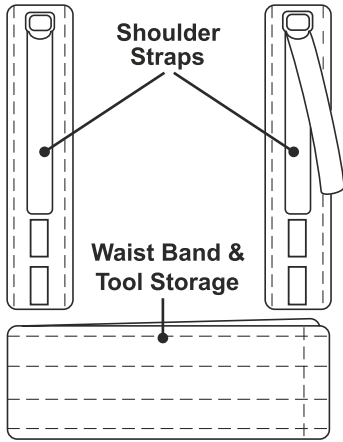


Fig 16

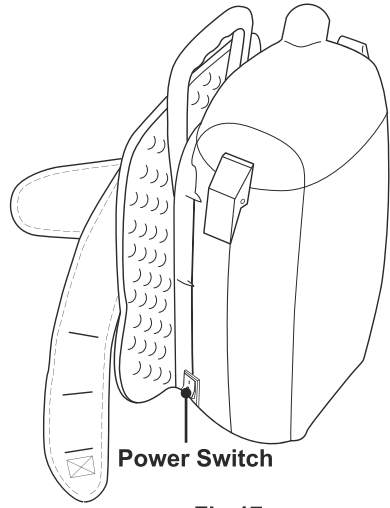


Fig 17

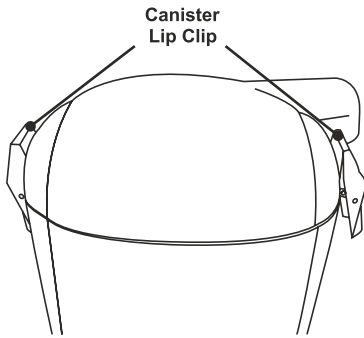


Fig 18

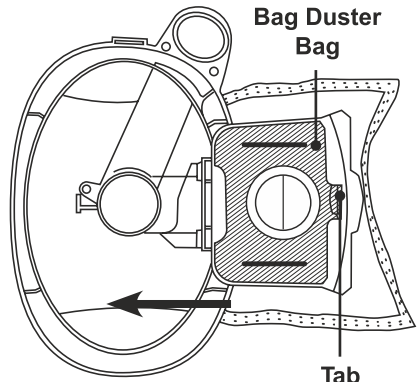


Fig 19

CLEANING THE SHAKE-OUT BAG WHEN USED WITH THE DUST BAG

1. Remove the Shake-Out Bag, holding the handle at the bottom of the bag, shake out doors vigorously over a garbage receptacle until there is no more dust.
2. Inspect Shake-Out Bag regularly for tears or damage. Replace Shake-Out Bags if damage or tears are present.

CLEANING THE SHAKE-OUT BAG WHEN USED ALONE

1. Remove the Shake-Out Bag, empty trash can, and shake vigorously out doors until there is no more dust.
2. The Shake-Out Bag is hand wash-able in lukewarm water
3. Allow to air dry for **24 hours**. The Shake-Out Bag should be replaced when needed. **Never replace into the vacuum if still wet.**
Note. If used often without dust bag, replacement and washing will be required more often
4. Replace clean Shake-Out Bag in unit, and replace the canister lid.

CLEANING THE HEPA PRE-MOTOR FILTER

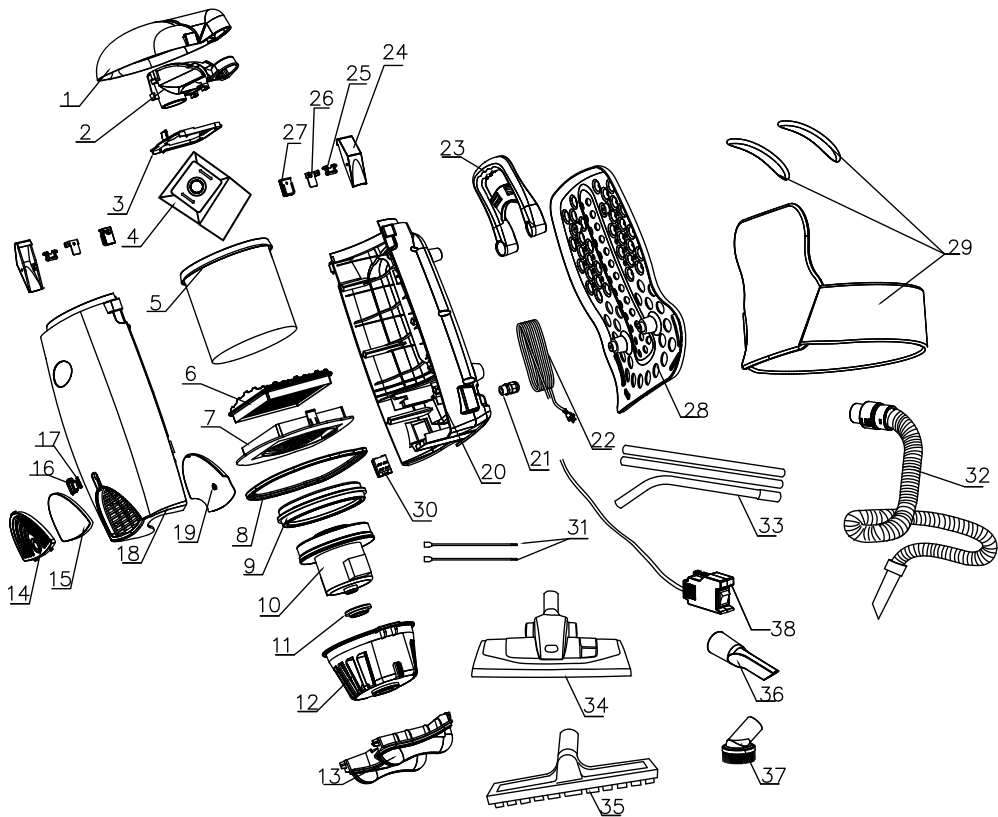
Important, Please Note. The HEPA Pre-Motor Filter will stop most of the tiniest dust particles and airborne allergens from re-entering the air you breathe. In fact it stops 99.95% of all particles as small as 0.3 microns—many times smaller than a human hair! Because of this incredible filtration performance, the HEPA Pre-Motor Filter will accumulate many fine dust particles that are difficult to see. Be assured that the HEPA Pre-Motor Filter is doing the job. Clean the HEPA Pre-Motor Filter after each use as described in this section.

1. Remove the Shake-Out Bag from the canister. The **HEPA Pre-Motor Filter** is located underneath the Shake-Out Bag. To remove the **HEPA Pre-Contents** into a motor filter, lift the form the sides of the **HEPA** filter.
2. Vigorously “Tap Clean” the **HEPA Pre-Motor Filter** on a hard surface to remove any residual dust that might still be on the **HEPA Pre-Motor Filter**.
3. You can wash the **HEPA Pre-Motor Filter** by running it under the tap and allowing the water to run on the dirty side at least once a month or when suction appears to be decreased.

Wash once a month or when suction appears reduced.

WARNING

Allow 24 hours for drying before replacing in unit.



Pos.	Cod.	Q.ty	Description	Material	Remark
1	VTM509	1	TOP COVER	ABS	
2	VTM510	1	INLET TUBE	ABS	
3	VTM511	1	DUST BAG HOLDER	ABS	
4	VTM501	1	MICOR FILTRATION DUST BAG	-	
5	VTM503	1	MICRO CLOTH FILTER	-	
6	VTM502	1	HEPA FILTER	ABS	
7	VTM513	1	HEPA FILTER HOLDER	ABS	
8	VTM514	1	SEAL RING OF HEPA FILTER HOLDER	PVC	
9	VTM517	1	MOTOR FILTER	RUBBER	
10	VTM518	1	MOTOR	-	
11	VTM520	1	BUMPER OF MOTOR	RUBBER	
12	VTM521	1	MOTOR COVER	PP	
13	VTM524	1	BOTTOM COVER	ABS	
14	VTM525	1	COVER FOR EXHAUST FILTER	ABS	
15	VTM523	1	EXHAUST FILTER	-	
16	VTM522	1	LOCKER FOR EXHAUST COVER	ABS	
17	VTM526	1	SPRING	STEEL	
18	VTM527	1	FRONT COVER	ABS	
19	VTM528	1	SOUND SUPPRESSOR PLATE	PP	
20	VTM529	1	REAR COVER	ABS	
21	VTM546	1	STRAIN RELIEF	PP	
22	VTM547	1	POWER CORD	-	
23	VTM532	1	HANDLE	ABS	
24	VTM586	2	LOCKER FOR TOP COVER	ABS	
25	VTM533	2	CONNECTOR OF TOP COVER LOCK	STEEL	
26	VTM534	2	METAL FRAME	STEEL	
27	VTM535	2	FIX BLOCK	ABS	
28	VTM536	1	BACK PLATE	PP	
29	VTM537	1	SHOULDER STRAP	-	
30	VTM548	1	SWITCH	-	
31	VTM545	1	INTERNAL WIRE	-	
32	VTM512	1	HOSE	-	
33	WND/1	1	EXTENSION TUBES	STEEL	
34	VLX7	1	VTUF FLOOR BRUSH	-	
35	VTM505	1	PARQUET BRUSH	-	
36	VLX15	1	CREVICE NOZZLE	-	
37	VLX10	1	ROUND NOZZLE	-	
38	VTM538	1	SWITCH BOX	-	

V-TUF[®]

www.V-TUF.COM