

V-TUF[®]



XR11000

HIGH PERFORMANCE WET & DRY
INDUSTRIAL VACUUM CLEANER
OPERATOR MANUAL



Please read this manual before using the XR11000

All Errors & Omissions Excused – Specification May Change Without Notice – Please Refer to www.v-tuf.co.uk for the latest version

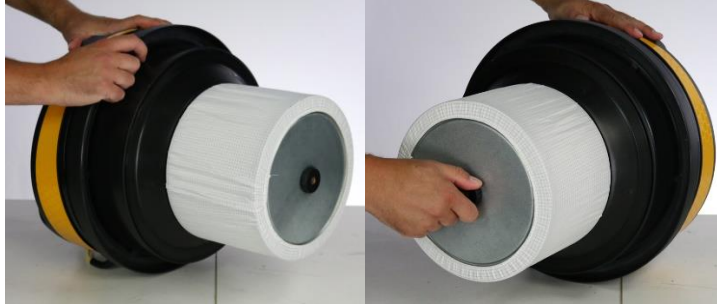
Accessories Supplied With & Optional Extra



POS	Parts No	DESCRIPTION
1	VTVS8000	HOSE - 5m (38mm) FOR XR 11000 HIGH PERFORMANCE WET & DRY INDUSTRIAL VACUUM CLEANER- VTVS8000(5M)
2	WND/2	TUBE SET - 38MM STAINLESS STEEL 3 PIECE WAND SET V-TUF PROFESSIONAL
3	BIO384WD	FLOOR HEAD - V-TUF 38MM VACUUM CLEANER 420MM Wet & Dry C/W WHEELS
4	VTVS038	ROUND BRUSH - V-TUF 40MM FITS XR11000
5	VTVS032	CREVICE TOOL - V-TUF 40mm - FITS XR11000
6	VTVS021XLR	Filter Basket – AQUADRY (Optional extra)
7	VTVS7020L	FILTER Sponge - Anti-Foaming Device
8	I10.1630	EXTENSION LEAD ' Motor Saver' - 30M 240VOLT 2.5mm (13AMP) (Optional extras)
9	BUL384WD	V-TUF 38MM VACUUM CLEANER BULLDOSER 450MM WIDE Wet & Dry FLOOR TOOL C/W WHEELS (optional extra)

Follow these steps **BEFORE USE**

For dry, non- hazardous material, ensure the HEPA filter is correctly fitted.



For wet, non- hazardous material, foam filter is fitted.



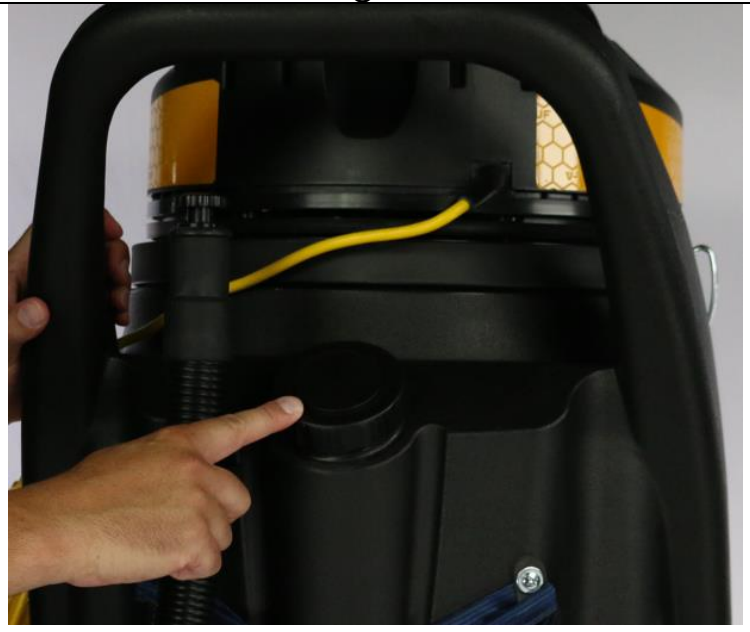
Ensure the head is correctly fitted and the clips secure.
For dry, non- hazardous material, ensure the HEPA filter is fitted.



Ensure that the drain hose bung is correctly fitted and sealed.



Ensure the tank empty cap is fitted and tight.



Fit the hose to the tank.



Clicks in and swivels



Floor Cleaning - Fit wand elbow



Floor Cleaning - Fit wand extensions



Floor Cleaning - Fit floor head



Crevice tool - Fit to the hose



Round Brush - Fit to hose



MAMMOTH XR11000

For use with the gutter / high level cleaning kit

Fit hose with grey 51mm cuff



Fit 51mm Elbow



Fit extension poles



Ensure Suction Gate is closed



MAMMOTH XR11000

Add extension poles to your desired length



Fit 135° Angled Cuff head

Tighten Thumb Screw 2(Nm).

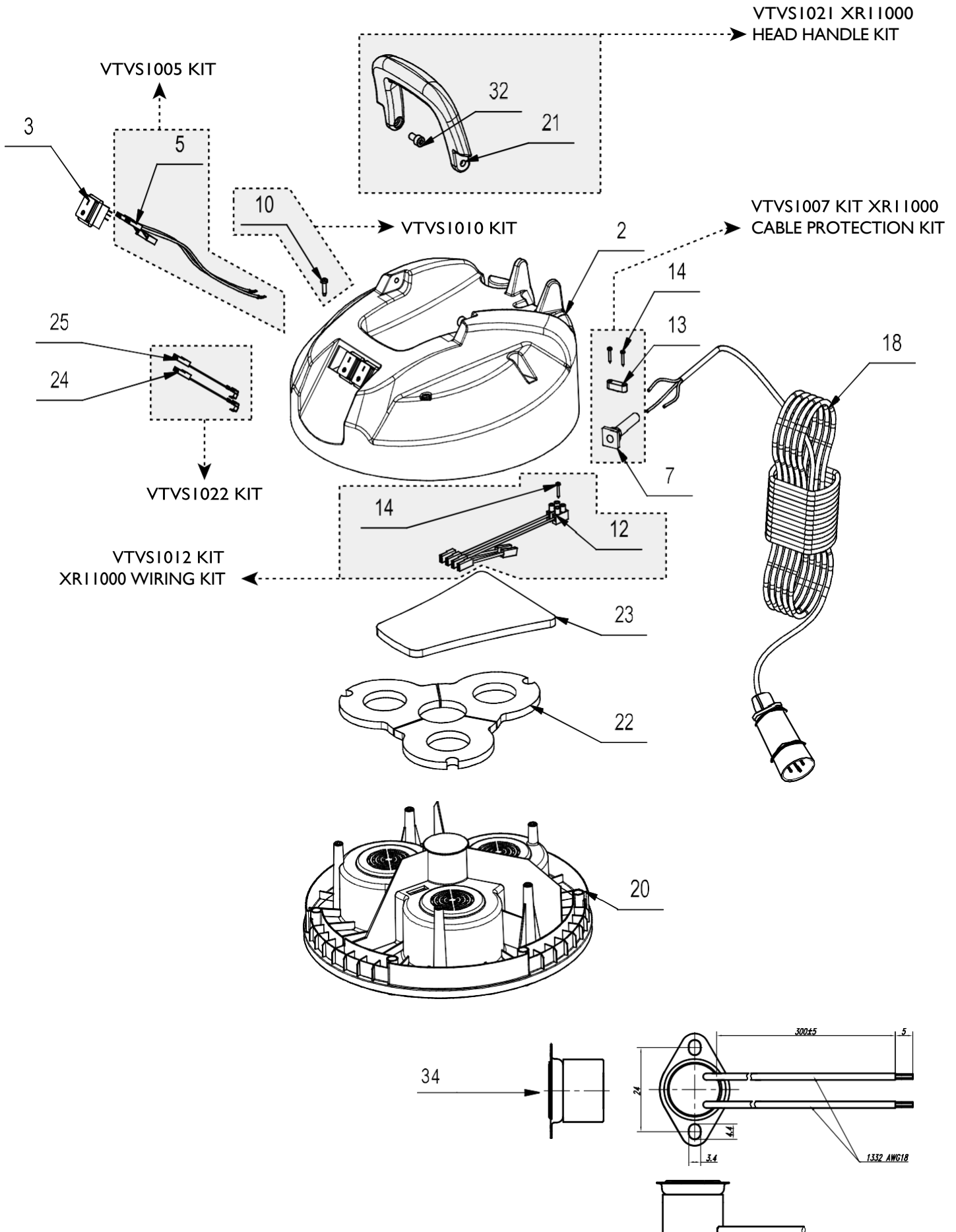


Fit gutter cleaning tool/head

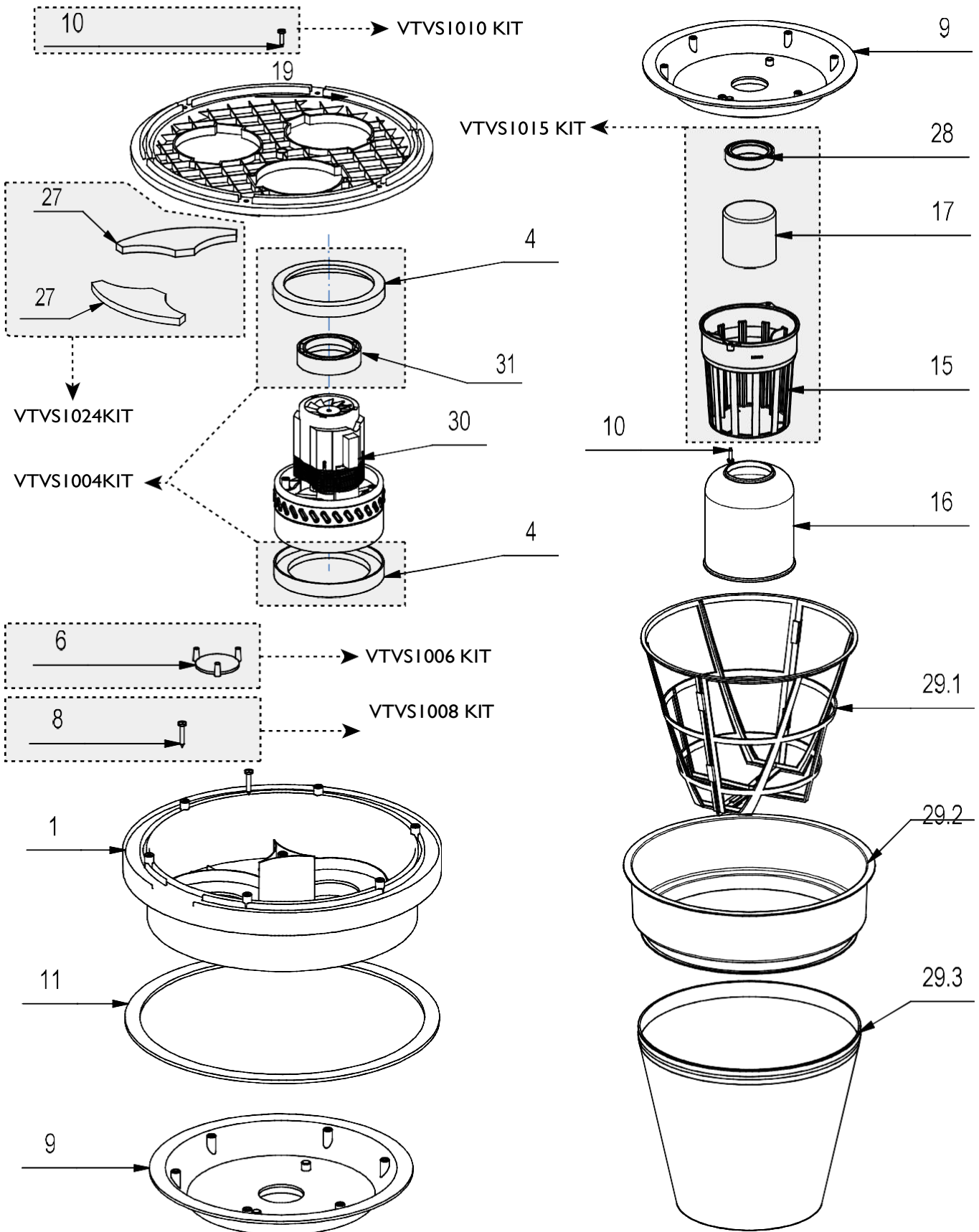
Tighten Thumb Screw 2(Nm).



MAMMOTH XR11000



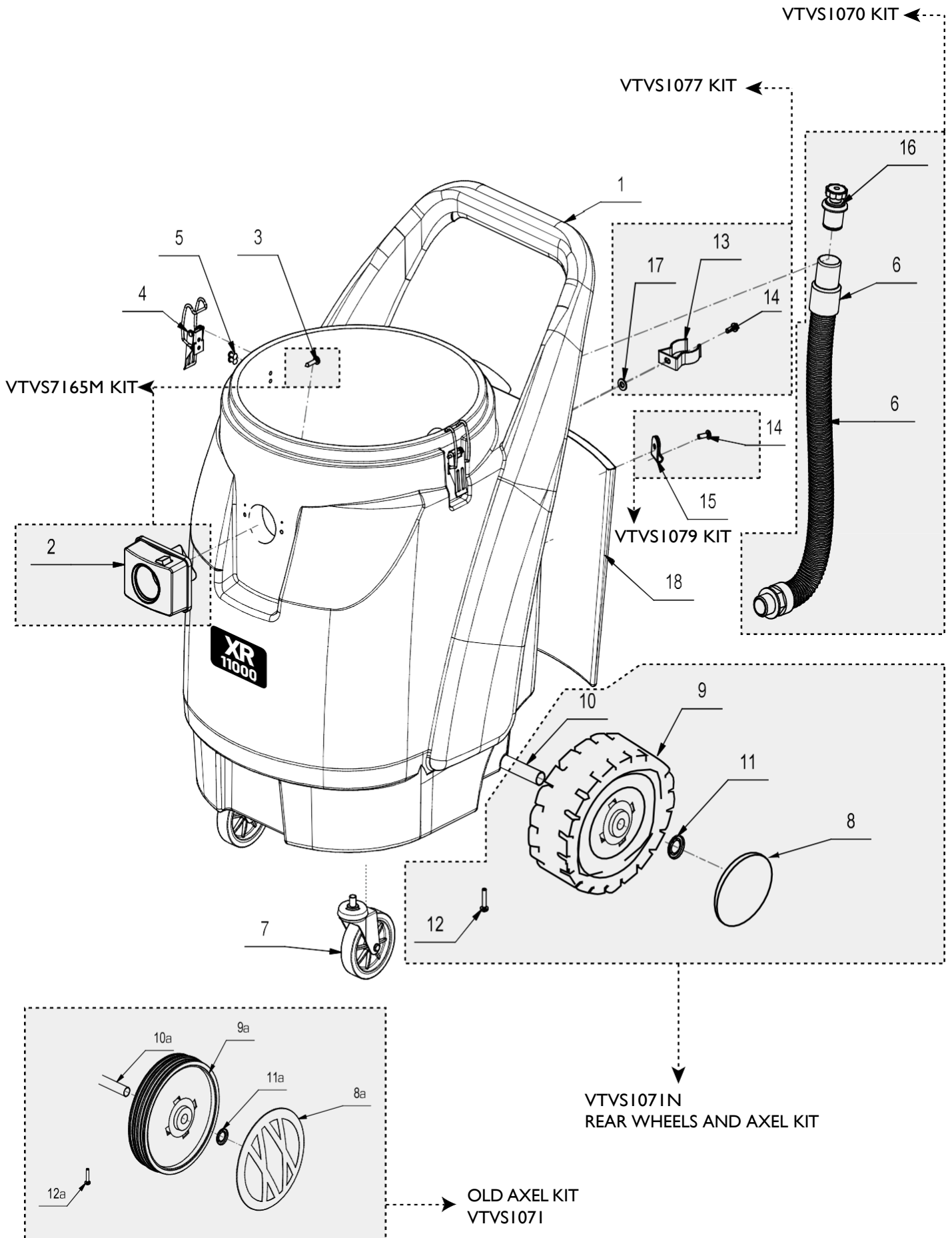
MAMMOTH XR11000



MAMMOTH XR11000

Pos.	Cod.	Q.ty	Description
1	VTVS1001	1	MOTOR BASE
2	VTVS1002	1	SHOCK COVER
3	VTVS7422Y	3	SWITCH - SEALED & YELLOW V-TUF 'VRS' TYPE 10AMP
4	VTVS1004	6	GASKET
5	VTVS1005	3	MOTOR CABLE x TOP/WET
6	VTVS1006	3	VALVE
7	VTVS1007	1	FAIRLEAD
8	VTVS1008	12	SCREW
9	VTVS1009	1	SEPTUM FILTER
10	VTVS1010	8	SELF-TAPPING SCREW 4,8x19 SP
11	VTVS1011	1	GASKET
12	VTVS1012	1	WIRING
13	VTVS1013	1	CABLE GRIP
14	VTVS1014	3	SELF-TAPPING SCREW 2,9x19 TC T.C.
15	VTVS1015	1	FLOAT CAGE
16	VTVS1016	1	SPONGE FILTER x WATER
17	VTVS1017	1	WHITE FLOAT I87
18	a. I10. 1505C- 110V Cable b. I10. 1605C- 240V Cable	1	5M POWER CABLE
19	VTVS1019	1	MOTOR LOCK
20	VTVS1020	1	MOTOR COVER
21	VTVS1021	1	HANDLE
24	VTVS1022	1	WIRE
25	VTVS1023	1	WIRE
27	VTVS1024	3	KIT FIRE FLEX
28	VTVS1025	1	GASKET
29.1	VTVS1026	2	CAGE (optional extra)
29.2	VTVS021XLR	1	Basket Filter (optional extra)
29.3			
30	a. VTVS066XLR- 110V Motor b. VTVS042XLR- 240V Motor	3	BYPASS MOTOR
31	VTVS1031	3	COVER SHOULDER FOR MONO 33/45
32	VTVS1032	3	SCREW
33	VTVS1033	1	SWITCH CAP FOR 2 MOTOR VAC

MAMMOTH XR11000



MAMMOTH XR11000

Pos.	Cod.	Q.ty	Description
1	VTVS1065	1	TANK D.400 RAL7030 85LT
2	VTVS7165M	1	OPENING
3	VTVS1067	2	SELF-TAPPING SCREW
4	VTVS1068	2	HOOK
5	VTVS1069	4	RIVET
6	VTVS1070	1	EXHAUST PIPE
7	VTVS1071	2	WHEEL
8	VTVS1072	2	COVER
9	VTVS1073	2	WHEEL
10	VTVS1074	1	SHAFT
11	VTVS1075	2	STARLOOK D. 20MM
12	VTVS1076	2	SCREW
13	VTVS1077	1	SPRING
14	VTVS1078	4	SCREW
15	VTVS1079	3	CLAMP
16	VTVS1080	1	COVER
17	VTVS1081	3	WASHER
18	VTVS1082	1	NET SAC

MAMMOTH XR11000

Cod.	Parts
VTVS1021 XR11000 HEAD HANDLE KIT	21, 32
VTVS1005 KIT	5
VTVS1010 KIT	10
VTVS1007 KIT XR11000 CABLE PROTECTION KIT	7, 13, 14
VTVS1022 KIT	24, 25
VTVS1012 KIT XR11000 WIRING KIT	12, 14
VTVS1010 KIT	10
VTVS1015 KIT	15, 17, 28
VTVS1024KIT	27
VTVS1004KIT	4, 31
VTVS1006 KIT	6
VTVS1008 KIT	8
VTVS1070 KIT	6, 16
VTVS1077 KIT	13, 14, 17
VTVS1079 KIT	14, 15
VTVS7165M KIT	2, 3
VTVS1071N REAR WHEELS AND AXEL KIT	8, 9, 10, 11, 12
VTVS1071 OLD AXEL KIT	8a, 9a, 10a, 11a, 12a

INTRODUCTION

Thank you for purchasing V-TUF product.

V-TUF is focused on research and development to make sure you are fully satisfied with our products. Please read this manual carefully and follow the instructions to ensure you get the best performance from this machine.

Congratulations on your choice.

IMPORTANT POINTS TO NOTE AT ALL TIMES!

1. Always ensure you are using the correct combination of filters for the task you are doing.
2. If you experience vacuum loss, please clean the filters, check & clear the blockage in the suction line, and blast the vacuum head vents with air, so you have maximum suction power.
3. Do not leave the vacuum motors running if there is loss of suction, as they can overheat. Regularly check the filters and air ways to ensure that they are clean and not damaged.
4. Never use standard extension cords on the 240 volt machines, as these are not sufficient for three motor operation and can burn the motors out. Only use the 'Motor saver' extension cords.
5. Before use operators must be provided with information, instruction and training for the use of the machine and the substances for which it is to be used, including the method of operation, cleaning and maintenance and disposal of the material being collected.
6. This manual has been included as an integral part of the appliance and should be carefully read through BEFORE using the machine.
7. Take the appliance out of its packaging and make sure it is in perfect condition, including accessories and any optional extras you have purchased from the V-TUF range.
8. Make sure that the electrical data of the appliance, shown on the label, corresponds to those of the mains supply.
9. The appliance must only be used with V-TUF accessories and spare parts.
10. The manufacturer disclaims all liability for injury to persons and animals and damage to things due to the irresponsible use of the appliance and to the use of non-original accessories and spare parts.
11. The repair and/or replacement of the various component parts, especially electrical parts, must be done by competent, trained personnel.

GENERAL INFORMATION

1. This manual has been included as an integral part of the appliance and should be carefully read through before using the machine.
2. Take the appliance out of its packaging and make sure it is in perfect condition, including accessories and any optional extras you have purchased from the V-TUF range.
3. Make sure that the electrical data of the appliance, shown on the label, corresponds to those of the mains supply.
4. The appliance must only be used with V-TUF accessories and spare parts.
5. The manufacturer disclaims all liability for injury to persons and animals and damage to things due to the irresponsible use of the appliance and to the use of non-original accessories and spare parts.
6. The repair and/or replacement of the various component parts, especially electrical parts, must be done by skilled personnel.
7. Before use operators must be provided with information, instruction and training for the use of the machine and the substances for which it is to be used, including the method of operation, cleaning and maintenance and disposal of the material being collected.

INSTALLATION

1. Ensure that the machine has the correct filtration system fitted properly for the substance you are going to clean:
 - For dry non-hazardous material, ensure the HEPA filter is fitted, secure and sealed.
 - For wet non hazardous material, ensure that the blue sponge filter is fitted
 - Ensure that the filters are not damaged.
 2. Ensure that the head is fitted correctly and the clips are in place.
 3. Fit the hose to the vacuum connector; fit the required accessory to the end of the hose
 4. Connect the power cable of the appliance to the power socket ensure that the switches are "0" (OFF POSITION).
 - 5 . The noise level is below 85 dB(A)
-

OPERATION INSTRUCTIONS

1. Ensure that there is sufficient ventilation for the machine and the operator
2. Make sure the machine on a sound and stable surface.
3. Ensure the machine is switched to the off position, connect to the correct and sufficient power source, switch machine on, use according to the guidelines and turn machine off, empty and clean after operation.
4. Never clean areas or substances that are conducive to static or electrical shock risk.

IMPORTANT

1. The wet and dry machines feature a float valve that interrupts the vacuum when the tank is full of liquid. When this occurs, turn the machine off immediately and empty the entire contents of the tank.
2. Do not use your machine if it is not functioning correctly. Regularly inspect electrical leads and connections, filters and listen for unusual noises. If in doubt, contact your nearest service centre for advice.

MAINTENANCE

1. The filter element can be vacuum cleaned OR washed with water. Ensure that it is completely dry before the operation.
2. Replace the filters if they are damaged.
3. Check and free the blocked parts (vacuum pipes, connector, brushes, etc.) from any deposited materials.
4. If necessary, clean the tank and in any case, never leave dust or liquid residues in the tank for long periods of time.
5. Ensure all residue material buildup is cleared from the air passages within the vacuum cleaner.

IMPORTANT INFORMATION

Never use the machine if you are unsure or become uncertain due to any faults of any kind, including those not mentioned in this manual.

Ensure that the machine has an up to date electrical and functional safety test and that nothing has been moved or replaced since the test was carried out.

Technical Information

Model	XR11000
Capacity	110 Litres
Working Voltage	110 & 240 Volts
Motor Power	1600/3000 Watts
Function	Wet & Dry Vacuuming
Air Flow Rate	106 L/SEC
Cooling Mode	250mm
Tank Diameter	370mm
Height	970mm
Accessories	Ø38mm Accessories Kit
Power Cable	5m




Safety Instructions

These instructions are for the user's safety, and all users of the V-TÜF cleaning equipment should ensure to have read this literature before using the machine.

- If any part of the appliance becomes damaged or fractured, it must be replaced by a V-TÜF approved engineer.
- This machine shall be used only by trained, competent and experienced operators. Operators should observe any safety regulations appropriate to the materials being handled.
- Do not run over the cable.
- Do not use in the presence of flammable gasses.
- Do not use with a damaged cable.
- This machine should be kept out of the reach of children and pets at all times.
- Do not clean up any hot material, e.g. ash.
- Always turn off the machine, and then unplug it, before you service the machine. Do NOT use this machine without the filters, as this is a health hazard and will damage and contaminate the internals of the vacuum cleaner.
- All repairs on V-TUF products should be done by an authorised service representative.
- If the machine shuts down, be sure to turn off the machine and unplug it before troubleshooting.
- For safety, the machine contains an electronic overload protection.
- Always turn off and unplug the machine when it is not in use. If any part of the appliance becomes damaged or fractured, it must be replaced with genuine V-TUF replacement parts only.

SAFETY PRECAUTIONS

Caution: what to do

1. All power conduction parts must be protected against water. SHORT-CIRCUIT RISK.  
2. All services or maintenance performed on the appliance must always be done with the plug disconnected from the power supply.
3. Operation with a residual current circuit breaker provides extra protection for the operator ($I_n=30$ mA).
4. Only ever use the appliance for the purposes for which it has been designed and manufactured. ACCIDENT RISK. 
5. If vacuum exhaust starts emitting material or particles, turn off immediately and waste level and ensure all correct filtration is present.
6. Only use the accessories provided with the machine
7. In the case of extractor models, only use detergents compatible with vacuum and pipe covering materials.
8. Ensure that the machine has an up to date electrical and functional safety test and that nothing has been moved or replaced since the test was carried out.



Caution: what not to do

1. Do not leave the machine running and unguarded nor within reach of children, animals or persons that are not responsible for their own actions.

ACCIDENT RISK. 

2. Do not vacuum inflammable combustion substance (e.g.: hot ashes), explosive and toxic substances, electrostatic or substances that are dangerous for health. EXPLOSION

OR POISONING HAZARD   

3. Do not rest the vacuum inlet on or move this close to delicate parts of the body (eyes,   ears, mouth, etc.). ACCIDENT RISK.

4. Do not touch the plug and/or socket with wet hands. ELECTRIC SHOCK RISK.   

5. Do not soak the appliance or spray it with liquid substances. SHORT-CIRCUIT.

6. Do not pull or lift the appliance using the power cable. SHORT-CIRCUIT RISK.  

Transport and handling

ATTENTION

Ensure that the vacuum cleaner is empty and clean.

Ensure that the head and accessories are properly secured.

Ensure that the vacuum cleaners is transported in the upright position.

Ensure that the vacuum cleaner and accessories are transported in the appropriate manner relating to the type of material being handled.

BEFORE FIRST USE

Vacuum assembly and testing

Before using the device, check that:

No foreign elements are present within the container.

Ensure that the head is fastened down with the head clips. This guarantees an air-tight seal. The hose is correctly connected to the tank.

The machine is connected to the correct electrical supply with the switch in the 0 (OFF) position.

Initial working phase check

Before beginning to vacuum, check that the filters fit properly within the device and that they are positioned correctly.

Check that the main cap of the tank and the cap on the drain hose are firmly in place (see below:



The vacuum has a float valve to seal the air flow to the vacuum motors when the liquid being vacuumed reaches the maximum level in the tank.

The motors will still run but the sound will become higher and there will be no suction.

To drain the tank:

1. Switch off all motors and disconnect from the power source.

2. Loosen the hand nut on the drainpipe & remove the plug (see figure below)



3. Drop drainpipe to an area you wish to dispose if the liquid. (See below)
Please note: You cannot run the vacuum motors while doing this.



USE OF THE DEVICE

ATTENTION The vacuum cleaner must not be used for hazardous dusts including flammable and/or explosive material.



ATTENTION

If used with a dust collection bag, the dust collection bag must not be filled past $\frac{3}{4}$ of their capacities. Check periodically during use. Do not vacuum liquids or particularly humid substances while the bag filters are installed.

END OF WORK ACTIVITIES

Must be carried out in a suitable, controlled area with the relevant PPE and methodology being used.

Disconnect the device's power supply by removing its electrical plug from the outlet.

Empty the waste container and dispose of the material according to the relevant regulations appropriate to the materials being handled.

Store the vacuum in a safe place where it cannot be accessed by unauthorised personnel.

TROUBLESHOOTING

PROBLEM	PROBABLE CAUSE	PROBABLE SOLUTION
The machine does not start	No current.	Check main fuse, power cord, plug and outlet.
The machine suddenly stops	Because of overheating, the thermal protection turns the Machine off.	After the machine has cooled down, you can turn the power on again and begin to use the appliance again.
Reduced suction power.	Filter, nozzle, hose or tube clogged.	Check and clean
Suction power drops	Tank full.	Stop the machine and empty the tank.
Suction power suddenly drops and pitch of the motors change.	The float valve is closed.	Remove the vacuum head and empty the liquid out of the container, if the container is empty, check that the floor tool wands and hose are not blocked. Ensure that the float is not jammed in the closed position.

V-TUF[®]

www.V-TUF.COM