

V-TUF[®]



V-TUF 240 MOD

ELECTRIC INDUSTRIAL
MOBILE STAINLESS STEEL
COLD WATER PRESURE WASHER
OPERATOR MANUAL



Please read this manual before using the VTUF240MOD

All Errors & Omissions Excused – Specification May Change Without Notice – Please Refer To www.v-tuf.co.uk For the Latest Version

CONTENTS

Important safety Instructions	3-6
Safety Features & Security Norms	6-9
Technical Data	10
Pre-Use and Maintenance	11
Use of the machine	12-13
Transport & Lifting	14-16
Troubleshooting	17-19
Accessories & Part List	20
XHDH300SS Super Series Pump	21

Important Safety Instructions

Thank you for choosing our Industrial Electric Powered Pressure Washer. This user manual is designed to provide you with essential information for the safe and efficient operation of your pressure washer. Please read this manual carefully before using the equipment and keep it for future reference.

IDENTIFICATION LABEL

Before using this machine, make sure that it is provided with the identification Label. In case the identification Label is missing, do not use the machine and consult your dealer immediately.

WHEN USING THIS MACHINE, PLEASE FOLLOW THESE BASIC PRECAUTIONS



1. Read and understand all the instructions before using the machine.
2. Know how to stop the machine and release pressure quickly, be familiar with all the controls.
3. The jet must not be directed at persons, animals, live electrical equipment or the appliance itself.
4. Do not direct the jet against yourself or others in order to clean clothes or foot-wear.
5. Switch off machine before carrying out user maintenance.
6. High pressure cleaners must not be used by children or untrained personnel.
7. High pressure hoses, fittings and couplings are important for the safety of the appliance. Use only hoses, fittings and couplings recommended by V-TUF.
8. Always wear suitable eye, face and body protection.
9. Do not operate the machine when fatigued or under the influence of alcohol or drugs.
10. Keep operating area clear of all persons.
11. Do not overreach or stand on any unstable ground, keep good footing and balance at all times.
12. Follow the maintenance instructions specified in the manual.
13. Do not use in an enclosed or unventilated area.
14. To prevent fire hazard, do not use with or near inflammable substances such as: petrol, solvents or thinners.
15. Ensure that there are no missing or loose bolts or components before and after use.

General Points

Instruction Manual

Please check that the manual is in good condition and that each of the pages are clearly legible. Should the manual be damaged, you can download this document as a pdf from the website at v-tuf.com

Trial before shipment

The machine has been tested at the manufacturer's factory by a V-TUF technician to check that all of the components are functioning correctly according to the machine's specifications.

Warranty Terms and Conditions

Coverage:

This warranty covers defects in materials and workmanship of your V-TUF Pressure Washer. The warranty period commences from the date of purchase and lasts for 12 Months from the original date of purchase.

Scope of Warranty:

During the warranty period, V-TUF will repair or replace, at its discretion, any parts or components of the pressure washer that are found to be defective in materials or workmanship. The warranty does not cover damage resulting from misuse, abuse, neglect, accidents, improper installation, unauthorized modifications, or alterations to the pressure washer. Consumable parts such as seals, gaskets, and hoses are subject to normal wear and tear and are not covered under this warranty.

Claim Process:

To make a warranty claim, the purchaser must provide proof of purchase, including the date and place of purchase, along with a description of the defect. Warranty claims should be made by contacting V-TUF Customer Service Department during normal business hours. If a warranty claim is deemed valid, V-TUF will provide instructions for returning the defective product or parts for repair or replacement.

Exclusions:

This warranty does not cover damage caused by improper storage, environmental factors, or acts of nature. Any unauthorized repairs or modifications made to the pressure washer will void this warranty. Damage resulting from the use of improper cleaning agents, detergents, or accessories not recommended by V-TUF is not covered under this warranty.

Limitation of Liability:

V-TUF shall not be liable for any incidental, consequential, or indirect damages arising from the use or inability to use the pressure washer, including but not limited to loss of profits, loss of business, or damage to property. The liability of V-TUF under this warranty is limited solely to the repair or replacement of defective parts or components as provided herein.

Governing Law:

This warranty is governed by the laws of the United Kingdom, and any disputes arising under this warranty shall be subject to the exclusive jurisdiction of the courts of the United Kingdom.

Modification of Terms:

V-TUF reserves the right to modify or amend the terms and conditions of this warranty at any time without prior notice.

Packaging

The packing materials and any parts replaced during maintenance should be collected and sent to a specialist waste disposal firm (wood, plastic, metal etc.) and not left within the reach of children or animals.

Delivery

The transport will be carried out by qualified companies. The merchandise travels under the full responsibility of the transporter and the user; in the event of an accident, or late delivery, the manufacturer accepts no liability.

Checks

Upon receipt of the goods, check the condition that they are in. Should they appear damaged, avoid any type of installation and immediately advise the transporter and the supplier.

To ascertain the condition of the parcel unpack the goods and check that the delivery is complete, ascertain whether the machine has arrived in good condition, free of breakages or dents. In the event of missing or damaged items, immediately advise your supplier after noting this on this on and signing the transporter's delivery note.

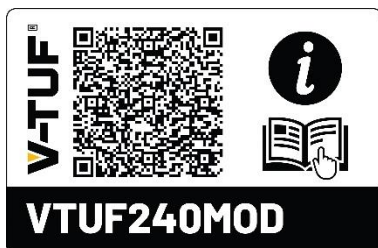
Product Identifying Data

An exact description of the model, serial number and installed accessories will aid a quick and efficient response on the part of the manufacturer or help centre. Always provide the type, model of machine and its serial number each time you contact the help centre.

For easy reference, we suggest that you write the relevant machine details in the panel below:

Model	Serial N°
Year of manufacture	Type of pump
Type of motor	

See examples of Personal identifying data below:



Prior to use, please carefully read the instructions, paying particular attention to "IMPORTANT RECOMMENDATIONS", "SECURITY NORMS" and "PRECAUTIONS".

It is forbidden to remove or tamper with the protective parts of the machine.

It is forbidden to use inflammable, explosive or toxic substances.

It is obligatory to use appropriate protective equipment.

It is obligatory to keep the machine clean and in good working order, particularly the controls, the connections and the technical data panel.

For your safety, and that of those around you, and for the continued working of the machine, do not use parts other than those prescribed by the manufacturer.

Before using the high-pressure cleaner, always ensure that any potentially hazardous conditions have been removed from the area of application.

The high-pressure cleaner should be used with clean water. Unfiltered water and/or corrosive chemicals will cause damage to the machine.

IMPORTANT RECOMMENDATIONS

The ordinary use of this machine does not require particularly specialised training, as long as the user has sufficient competence and training to carry it out, knowledge of this manual and is aware of general safety procedures.

Follow the instructions with great care for your safety and that of others, to safeguard your machine and protect the environment.

SECURITY NORMS

FOUR SYMBOLS TO REMEMBER



General danger



Ranger of severe damage to the machine



Danger to people



Safeguarding the environment

Your machine is supplied with electronic apparatus, the use of which requires the observation of the following safety criteria.



When using the machine outdoors, do not use when it is raining



Do not attempt any kind of maintenance whilst the plug is connected to any sort of power supply.



Take care not to spray the machine with the water jet as this could lead to short-circuit



Should you need to use an extension lead with the power supply, make sure that the connection between the extension lead and the power lead is secure and stable and conforms to standard safety norms. The plug and the socket should be waterproof. Also ensure that the cable size is sufficient to avoid voltage drop and resistance.



Keep the machine out of the reach of children or unauthorised personnel.



It is strictly forbidden for the user to operate the machine without footwear.



Do not use the machine if any of its components are loose, missing or defective.



Do not use the machine if there are people or animals in your way.



Do not direct the water jet near sources of electricity.



Do not place your hands beyond the nozzle of the lance; high pressure nozzles can be extremely dangerous when used inappropriately.



If the machine should be used in service stations, supply stations or other potentially dangerous locations, please ensure that the appropriate safety procedures are observed.



Do not touch the engine, the chimney, the boiler or other internal parts when the machine is on, or immediately after it has been turned off as you may risk burning or scalding. (Engine powered or Hot Water Machines).



Should you need to clean the engine, this procedure should be carried out in places where, to safeguard the environment, an adequate oil separator is installed.



Re-filling of petrol should only be undertaken when the machine is turned off (Engine powered or Hot Water Machines).



Should you need to clean the motor, Do not use combustible materials other than those advised by the manufacturer.



Once you have finished working, and after the machine has stopped, release the residual pressure in the tube and pump by squeezing the pistol lever.



It is strongly forbidden to carry out any operation with the machine if you are not wearing the appropriate safety equipment (protective glasses, gloves, overalls etc) as per established safety norms.



During winter, and in the event of frost, it is advisable to use anti-freeze or to empty out the water from the water circuits by stopping the water supply and briefly running the pump until the water is expelled.



Should the machine remain inactive for extended periods of time, it is possible that calcium deposits can form in the valves which can then cause problems when trying to re-start the machine. Should this happen, pay particular attention to any strange or unexpected noises emanating from the machine, in which case you should consult your local technical services.

IMPROPER USE

By improper use, we mean using the machine for uses which it was not specifically designed for, such as:

- Washing of objects or vehicles which have come into contact with inflammable or noxious dust, gas or liquids, or substances which can cause dangerous reactions when in contact with water.
- Use of the machine in places where there is a danger of explosions, or a significant risk of fire.
- Use of the machine for the cleaning of animals, of any size.
- Use of the machine by anyone under the age of 16 years.
- Use of the machine in the rain or during thunderstorms.
- Use of the machine for the washing of any equipment supplied by an electric current.
- Use of the machine by anyone unauthorised personnel, or anyone untrained to do so.

ERRONEOUS USE

By erroneous use, we mean the use of our machine without respect for the guidelines contained in the instruction and maintenance manual. Lack of respect for these guidelines can represent a risk of injury to both the operator and those persons nearby as well as a risk of serious damage to the machine itself.

Erroneous use, therefore, can constitute unsecured connections (including those of accessories supplied as optional extras), not using original spare parts, repairs undertaken by unauthorised or unqualified personnel, use of the machine for purposes it was not designed for (see improper use), lack of proper maintenance and use of the electrical power supply cable or the high-pressure tube to drag or haul the machine around.

PRECAUTIONS

Before activating the high pressure cleaner, make certain that the water pressure and flow supply is correct (Pressure: min. 1 Bar – Max 8 Bar. Flow/Volume is greater than the pump flow); operating the machine with insufficient / no water supply can cause serious damage to the machine's waterproofing systems.

Following Transport and delivery, make sure that the pump oil housing transport plug is replaced with the breather plug. This is essential to ensure that air in the pump crankcase can expand and contract during operation.

To safeguard the security of the operator and of the machine, avoid making modifications to the machine without the written consent of the manufacturer.

If you notice any damage to the machine, do not use the machine and immediately inform your supplier or an authorised technician.

During use, avoid covering the machine: if you consider it necessary to protect the machine, do it in such a way as to allow air to circulate freely in order to cool the pump, motor and engine.

In the event of a long pause / break during work from using the machine, turn off the machine and release the residual pressure.

The maintenance of this machine requires the use of a qualified person who, as well as having knowledge of this instruction manual, should be equally familiar with general safety guidelines as well as those measures specific to this machine.

For matters of repair, maintenance and tuning, we always recommend that you refer to a dealer or authorised technician.

ATTENTION:

Never underestimate these warnings, use of the machine in an inappropriate manner, can lead to serious damage and injury to the operator and any surrounding personal. Don't take risks!

ATTENTION:

The manufacturer cannot be held responsible for any eventual damage or injury to people, animals or property resulting from improper or unreasonable use, or usage in any way not conforming to the instructions contained in this manual.

TECHNICAL DATA:**Industrial Specification – VTUF110/240MOD**

WATER FLOW (LITRES PER MINUTE):	12
PRESSURE (BAR/PSI):	100 (MAX)
MOTOR POWER (1450 RPM):	2.2KW
JET SIZE:	T25.07OJ, T40.08OJ
CHEMICAL FEATURE:	LOW PRESSURE CHEMICAL SSQ JET
POWER SUPPLY (VOLTAGE):	110V OR 240V
WEIGHT:	55KG
DIMENSIONS: (L X W X H) CM	830 X 500 X 900MM

If you wish to power your pressure washer with a generator, we recommend that the generator has approximately three times the wattage of the pressure washer you intend to power. This accounts for startup surges.

PRE-USE STEPS

Before using your V-TUF industrial pressure washer, it's essential to familiarise yourself with its operation and safety precautions. Here are some pre-use instructions:

1. **Check oil level and colour of oil:** The oil level should be halfway up the sight glass. If the oil is milky, it means that oil is mixed with water.
2. **Ensure all unions, QR couplings are fastened and secure:**
3. **Remove Pump Oil Transport plug from the pump and replace it with the breather plug:** If the pressure is run with the transport plug, the increased pressure in the crank case will blow the seals when the temperature rises.
4. **Read the Manual:** Always read the manufacturer's manual thoroughly before operating the pressure washer. It contains important information regarding setup, operation, maintenance, and safety precautions specific to your model.
5. **Inspect the Equipment:** Inspect the pressure washer for any visible damage or signs of wear. Check hoses, connectors, nozzles, and the power cord for any damage. Do not use the pressure washer if you find any issues; repair or replace damaged parts before operation.
6. **Power Source:** Ensure the pressure washer is connected to a suitable power source as specified in the manual. Use a grounded outlet and avoid using extension cords unless approved for outdoor and heavy-duty use.
7. **Water Supply:** Connect the pressure washer to a clean water supply with adequate flow & pressure.
8. **Choose the Correct Nozzle:** Select the appropriate nozzle for the cleaning task. Different nozzles produce varying spray patterns and pressures. Refer to the manual for guidance on which nozzle to use for specific cleaning applications.
9. **Familiarise with Controls:** Familiarize yourself with the pressure washer's controls, including the on/off switch, trigger gun, pressure adjustment, and detergent settings.

MAINTENANCE

Before using your V-TUF industrial pressure Regular Cleaning:

1. **Inspect Hoses and Connections:** Periodically inspect hoses, connectors, and fittings for signs of wear, damage, or leaks. Replace any worn or damaged parts immediately to prevent accidents or loss of pressure.
2. **Check Water Inlet Filter:** Inspect and clean the water inlet filter to prevent blockages and ensure proper water flow to the pressure washer. Remove any debris or sediment from the filter and rinse thoroughly.
3. **Lubricate Moving Parts:** Lubricate moving parts, such as trigger guns, wands, and swivels, as recommended by the manufacturer. Use lubricants suitable for high-pressure applications to ensure smooth operation and prevent premature wear.
4. **Examine Nozzles:** Inspect the nozzles for signs of wear, damage, or blockages. Clean or replace any clogged nozzles, and ensure they are securely attached to the wand. Use the appropriate nozzle for the desired spray pattern and pressure.
5. **Check Pump Oil Level:** If your pressure washer is equipped with an oil-lubricated pump, regularly check the oil level according to the manufacturer's instructions. Top up or change the pump oil as needed to maintain optimal performance.
6. **Inspect Electrical Components:** If applicable, inspect the power cord, plug, and electrical connections for any signs of damage or wear. Ensure the power supply is disconnected before performing any maintenance on electrical components.
7. **Store Properly:** When not in use, store the pressure washer in a clean, dry, and well-ventilated area. Protect it from extreme temperatures, moisture, and sunlight. Coil hoses neatly to prevent kinks and tangles.
8. **Schedule Professional Servicing:** Consider scheduling regular professional servicing for your electric industrial pressure washer, especially if it is used frequently or in demanding environments. A qualified technician can perform thorough inspections, maintenance, and repairs to ensure the longevity and efficiency of the equipment.

By following these maintenance instructions, you can prolong the life of your V-TUF industrial pressure washer and ensure reliable performance for years to come. Regular maintenance helps prevent breakdowns, reduces repair costs, and ensures safe operation. If you encounter any issues or have questions about maintenance procedures, consult the manufacturer's manual or seek assistance from a qualified technician.

IDENTIFICATION DATA

The position of the identification data of the machine

- 1) Identification of the machine according to EU directives.



ATTENTION:

Check that your VTUF240 high pressure washer has been provided with these identification details, if they have not been provided please inform your local dealer immediately.

Machines which have not been provided with these details **MUST NOT BE USED**, and should be considered anonymous and potentially dangerous.

It is obligatory that you ensure that the data label is always attached to the machine and clearly legible.

In case of damage, loss or illegibility, you should submit a written request to the manufacturer who will then provide you with a new one.

USE WITH CHEMICAL PRODUCTS

Turn the pressure washer off, put the relevant chemical nozzle head in the end of the lance, drop the chemical pick up into the chemical container. Turn the machine on and apply the chemical.



Best Practice for chemical application

When the pressure washer is detergent mode, pull the trigger and wait for the chemical to come through before applying the chemical to the surface.

Apply the chemical in horizontal overlapping stripes starting from the bottom and working up to the top of the object.

Flush Chemical out of the system with fresh water before storage.

Important Advice

To safeguard the environment, we advise that only authorised detergents are used, that the recommendations of use and dosage are observed on the product labels, that detergent is used sparingly and remember that use of inappropriate detergent, as well as damaging the environment can damage the hot water cleaner as well as the objects being cleaned.

USE DETERGENTS WHICH ARE OVER 90% BIODEGRADABLE.

Before sprinkling detergent over varnished areas with delicate colours, make sure that the surfaces to be treated are not hot, that the detergent has not dried and that the concentration of water / detergent is correct.

IMPORTANT: Rinse well.

Upon completion of operation, shut down the machine then squeeze the pistol lever until the residual water pressure has been expelled.



VTC120, VTC620, VTC320: Apply and then rinse well (do not allow to dry on surface). A good method is applying from the bottom up and rinse from the top down.

VDG (D-GREEN): Rinse off heavy soiling then apply and leave to dry (do not rinse off)

Detergent **NOT** suitable to be applied through pressure washers:

VTC520: This must not be used on painted surfaces and can only be pre-sprayed through a hand sprayer or painted on whilst wearing with hand protection and then can be rinsed off with a pressure washer.



LUBRICATION OF THE PUMP

For the models VTUF240 we recommend:

V-TUF Pressure Lube PL500

You should change the oil after the first 50 hours of use, and after each subsequent 500 hours of operation.



TRANSPORT – LIFTING – SHIFTING

ATTENTION:

Whenever the machine needs to be transported, it should be securely fixed with straps, cables or other suitable equipment in order to avoid accidental movement which could cause damage to people or property as well as to the machine itself.

ATTENTION:

Should the machine need to be lifted, it should be hooked or coupled by means of straps, or suitable lifting equipment which will safeguard the machine's integrity. Make certain that the lifting equipment used has superior capacity to the weight and volume of the machine; the use of equipment conforming to current applicable safety standards is recommended.

ATTENTION:

It is strictly forbidden to remain under or in the immediate vicinity of the machine while it is being lifted or elevated.

Do not use damaged lifting equipment, always use thick working gloves.

Check that the attachment is sufficiently robust to sustain the weight.

ATTENTION:

Should the machine need to be shifted manually from one place to another, you should ensure that the power plug has been detached from the electric current, then using the appropriate grip and taking care not to make any sudden movements which could compromise your safety, or that of the integrity of the machine itself, proceed with the moving.

Remember that you must not drag or haul / move the machine by its electrical power supply cable or by the high-pressure hose. Use the handles built on the machine.

N. B.

For all further things which have not been specified, please abide by general norms for the prevention of injuries.

STORAGE

Park the machine on a flat surface. If the machine is not going to be used for an extended period of time, empty the water circuits and the fuel tank then cover the machine and store it in a place protected from atmospheric extremes.

SCRAP AND DISPOSAL

Should you decide to scrap the machine, we recommend that you render it inoperative using the following procedure: remove from the machine the electrical power supply cable and water supply tubes; cut the power supply cable and tubes; remove the lance and pistol, cut all of the electrical cables, break the pump and the motor, destroy the identification data label of the machine and also those of the pump and motor set.

Please remember that the chemical products contained inside the machines tubing should be removed in advance; if necessary any containers used for this purpose should be recycled or disposed of as per current laws in force.

PACKAGING

The packaging materials should be gathered together and sent to a company specialising in the disposal of refuse (wood, plastic, metal etc.) and not left within reach of children or animals.

ATTENTION

Do not use products containing solvents, methanol or hydrocarbons.

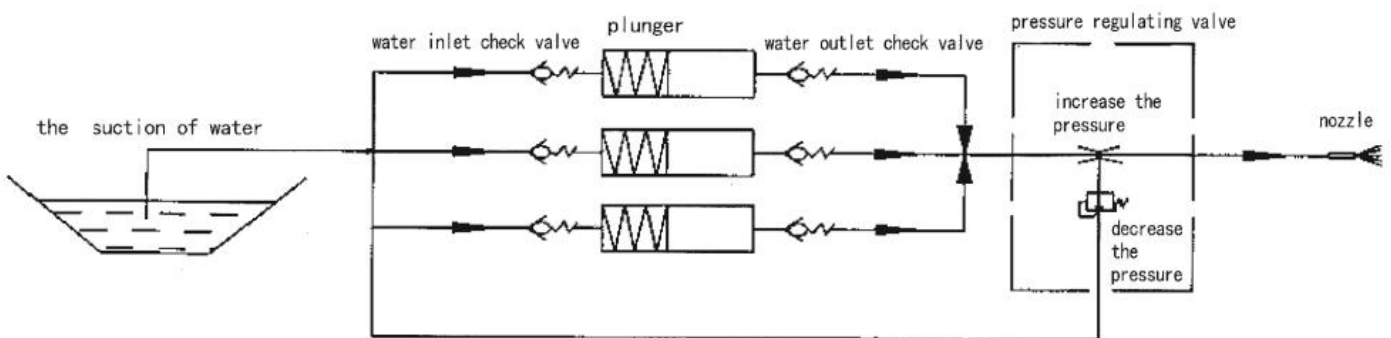
Troubleshooting

PROBLEMS	CAUSES	SOLUTIONS
The pump turns but does not reach the required pressure	The pump is sucking in air.	Check that the piping is airtight & watertight
	Worn out valves	Replace the valves
	Worn out valve seat / o'ring	Replace the valve seat / o'ring
	Worn out or inadequate water nozzle	Replace the water nozzle
	Worn out gaskets / seals	Replace the gaskets / seals
Irregular fluctuations in pressure	Dirty water filter	Clean the water filter
	Worn out suction and/or delivery valves	Replace the valves
	Presence of foreign bodies in the valves which can affect their performance	Check and clean
	Air being sucked in	Check the piping
Drop on pressure	Worn out gaskets	Replace the gaskets
	Worn out suction and/or delivery valves	Replace the valves
	Presence of foreign bodies in the valves which can affect their performance	Check and clean
	Air being sucked in	Check the piping
	Worn out gaskets / seals	Replace the gaskets /seals

<p>Presence of water in the pump oil</p>	<p>Worn out oil seals.</p> <p>High percentage of humidity in the air.</p> <p>Gaskets are completely worn out.</p>	<p>Replace the oil seals.</p> <p>Change the oil twice as often as is normally prescribed.</p> <p>Replace the gaskets.</p>
<p>Excessive noise</p>	<p>Air is being sucked in.</p> <p>Dirty water filter</p> <p>Insufficient water supply.</p> <p>The springs on the suction and/or delivery valves are worn out or broken.</p> <p>Foreign bodies in the suction and/or delivery valves.</p> <p>Worn out ball bearings.</p> <p>The temperature of the water being pumped is excessive.</p>	<p>Check that the piping is airtight & watertight</p> <p>Clean the water filter.</p> <p>Check that the machine has a water supply superior to the flow rate of the pump.</p> <p>Replace the valves.</p> <p>Check and clean the valves.</p> <p>Replace the ball bearings.</p> <p>Lower the temperature of the water being pumped.</p>
<p>Water discharge from between the pump body and the pump head.</p>	<p>Worn out gaskets / seals.</p> <p>Worn out pistons.</p> <p>OR piston plug is worn out.</p>	<p>Replace the gaskets / seals.</p> <p>Replace the pistons.</p> <p>Replace the OR piston plug.</p>

Oil discharge from between the pump body and the pump head.	Worn out oil seals.	Replace the oil seals.
Excessive vibrations.	Worn out or dirty valves. Air is being sucked in.	Replace the valves. Check that the piping is airtight & watertight
The engine does not start.	Insufficient or incorrect fuel in the tank.	Ensure the fuel tank has enough of the the correct fuel.
The Motor Doesn't start	Voltage Drop Damaged or disconnected electrical circuit	Make sure that the pressure washer is plugged directly into the mains power source Ensure the machine is disconnected to the power. And do a visual check. If this doesn't work, check continuity.

WATER FLOW DIAGRAM

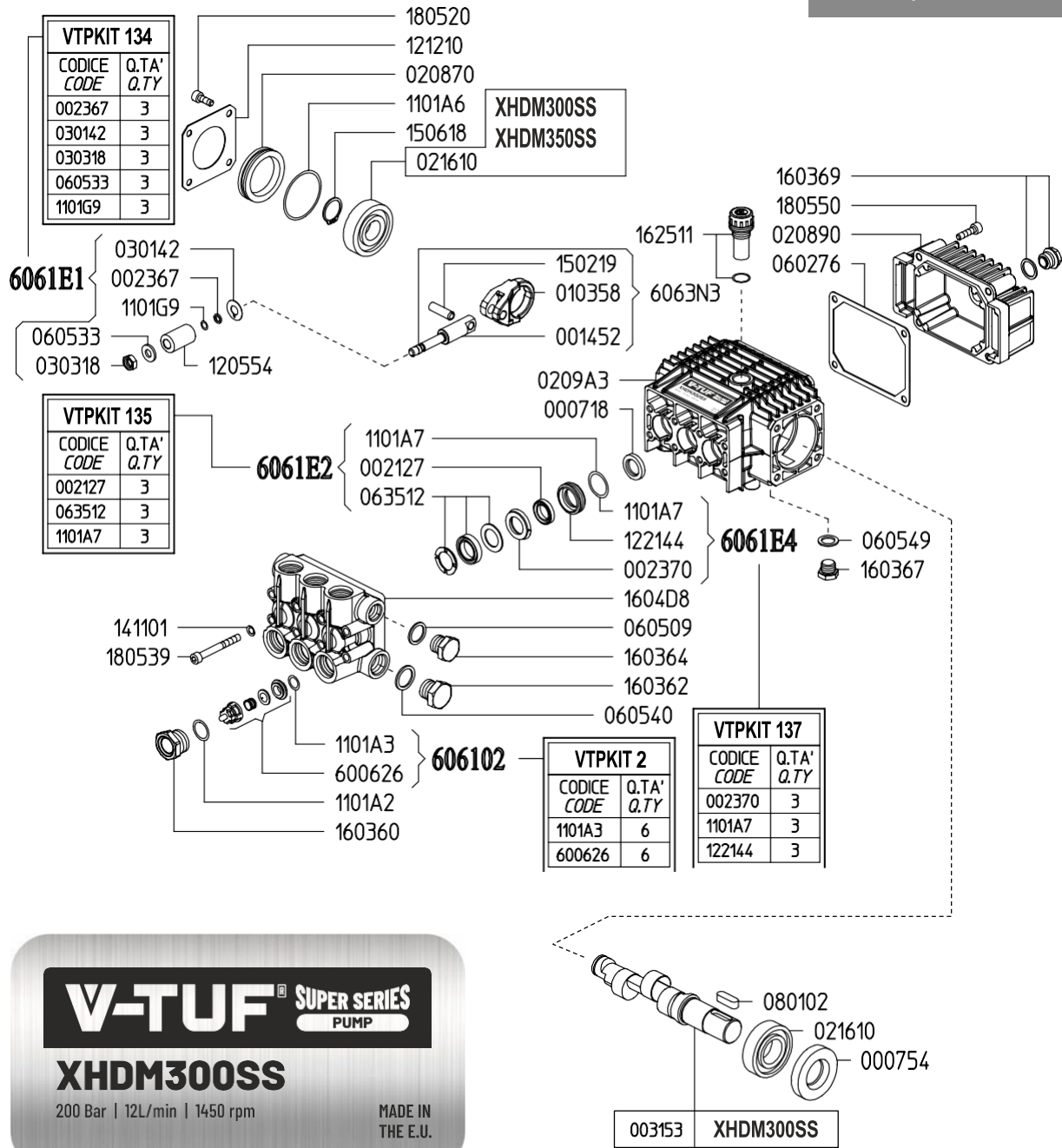


ACCESSORIES PARTS & LIST

240V KIT	110V KIT	CODE	DESCRIPTION	QTY PER KIT
No	Yes	VTUF110	V-TUF 110 - 110v Compact, Industrial, Mobile Electric Site Pressure Washer - 1450psi, 100Bar, 12L/min	1
No	Yes	VTTCY23820U VYY-HD	V-TUF 20m 2 WIRE, TOUGH COVER 3/8" 400BAR 155°C V-TUF YELLOW JETWASH HOSE with DURAKLIX HEAVY DUTY MSQ COUPLINGS	2
Yes	No	VTUF240	V-TUF 240 - 240v Compact, Industrial, Mobile Electric Pressure Washer - 1450psi, 100Bar, 12L/min	1
Yes	No	I10.1650	EXTENSION LEAD ' Motor Saver' - 50M 240VOLT 2.5mm (16AMP)	1
Yes	Yes	T2.9800G	EXTENDABLE LANCE - V-TUF 2.5 TO 8 METRES - COMES WITH BELT & GUTTER CLEANING ATTACHMENT - T2.9800G	1
Yes	Yes	E1.0102KITN	V-TUF HEAVY DUTY CRUSH RESISTANT PUMP SUCTION FEED HOSE KIT (2m) 3/4F and 3/4M adapter - E1.0102KITN	1
Yes	Yes	B1.034	V-TUF PROFESSIONAL KCQ PLUG x 3/4" F - B1.034	1
Yes	Yes	QRG2LKIT12	2P 1000mm tufGUN TG310 LANCE KIT SSQ QR END WITH BEND	1
Yes	Yes	B14.5720	SSQ M PLUG x SSQ FEMALE COUPLER - 120 DEGREE SWIVEL - B14.5720	1
Yes	Yes	H1.300	V-TUF UNDERCARRIAGE SPRAY BAR 500MM With Extension lances	1
Yes	Yes	H4.135SSQ	340mm 135Deg "U" LANCE SSQ QR FEMALE x SSQ MALE - TO FIT TO EXTENDABLE LANCE	1
Yes	Yes	OPF076TF	V-TUF tufFOAM Corrosive Resistant Cannon & 1 Litre Bottle (ADJUSTABLE DOSE) - SSQ MALE	1
Yes	Yes	H2.021-KIT1	V-TUF tufBRUSH600 SOFT BRISTLE CAR WASH BRUSH BLACK 300mm WIDTH 9CM WITH TELESCOPIC POLE EXTENDS UPTO 2.7M	1
Yes	Yes	M22/SSQ	M22 MALE X SSQ FEMALE ADAPTOR	1
Yes	Yes	T40.07OJSSQ	OPTI-JET 40° 07 FAN NOZZLE NP SSQ	1
Yes	Yes	T25.08OJSSQ	OPTI-JET 25° 08 FAN NOZZLE NP SSQ	1
Yes	Yes	H4.000M22 (900)	2P LANCE - 900mm M22M - M22F	2
Yes	Yes	I10.1520	20M 110VOLT Extension Lead - YELLOW 16AMP	1

Super Series Pump XHDM300SS

12 litres/min 200 bar



LUBRICATION OF THE PUMP

We recommend:

VTUF PL100 – OIL CAPACITY 0.42 kg

You should change the oil after the first 50 hours of use, and after each subsequent 500 hours of operation.

NOTES

A series of horizontal dashed lines for taking notes.

V-TUF[®]

www.V-TUF.COM